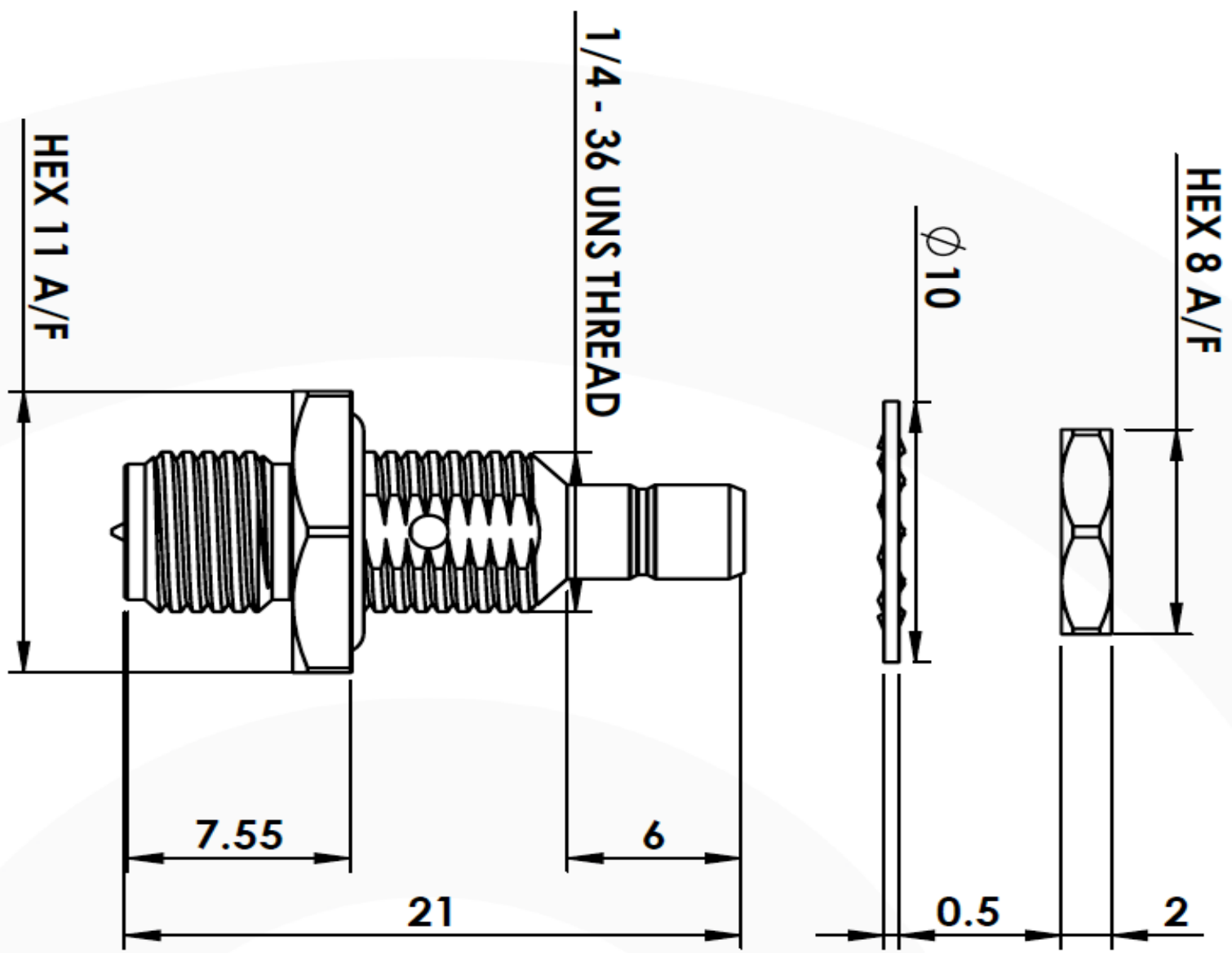


Images for illustration purposes only



Part Number: 74-3132-541

