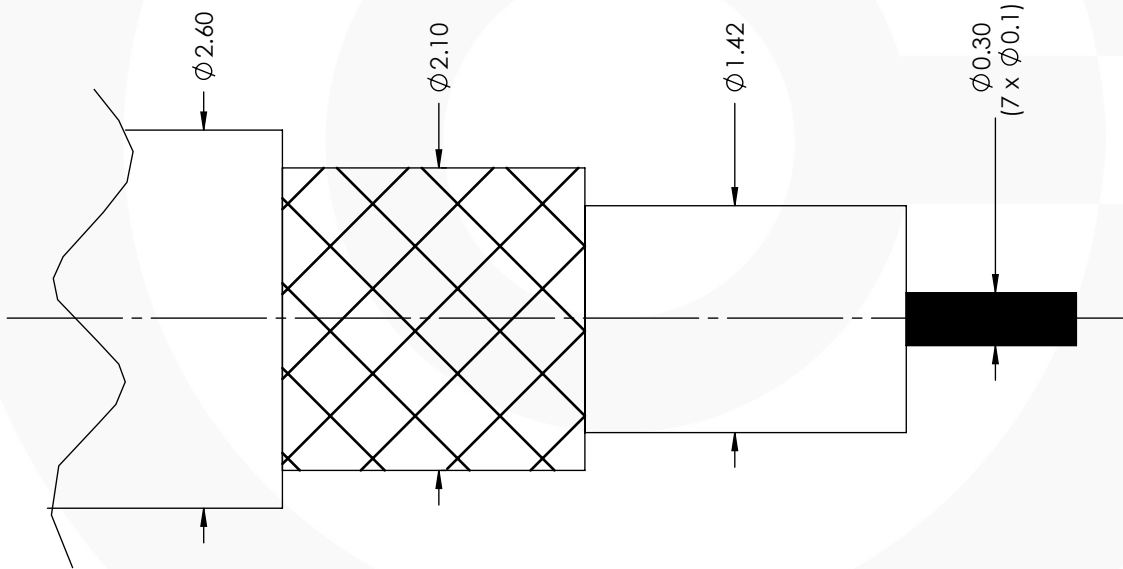


518-179-STRANDED RG 179 LSF



© 2013. THIS DOCUMENT IS THE PROPERTY OF COAX CONNECTORS LTD. REPRODUCTION OR COMMUNICATION IN ANY FORM TO A THIRD PARTY IS PROHIBITED WITHOUT PRIOR WRITTEN CONSENT

A4	SHEET 1 OF 1	DIMENSIONS ARE IN MILLIMETRES		
REVISION : A00		NAME	SIGNATURE	DATE
ISSUE : 1	DRAWN	B.S.		18/05/2018
	CHK'D			
	APPV'D			
6-8 COLNE ROAD, TWICKENHAM, MIDDLESEX. TW1 4JR		<small>THE INFORMATION IS GIVEN AS AN INDICATION ONLY AND IS SUBJECT TO CHANGE WITHOUT NOTICE. IN THE CONTINUAL GOAL TO IMPROVE OUR PRODUCTS, WE RESERVE THE RIGHT TO MAKE ANY MODIFICATIONS NECESSARY WITHOUT PRIOR NOTICE.</small>		

Cod File: M:\Engineering Data\CAD Data\DrawingsZ - Match IT SERIES\DATA SHEETS\518-179-STRANDED

Model File: