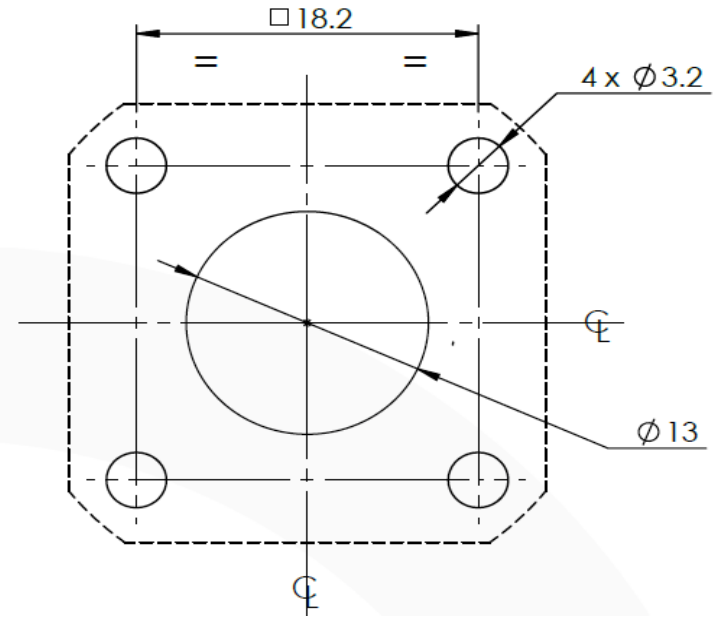


RECOMMENDED MOUNTING:



images for illustration purposes only

Part Number: 74-2530-506-J3

COAX
CONNECTORS LTD

