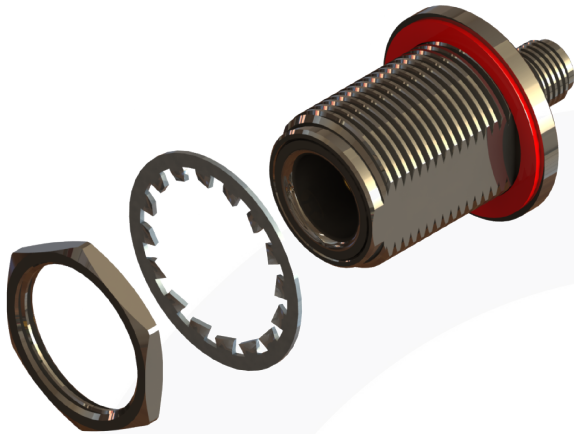
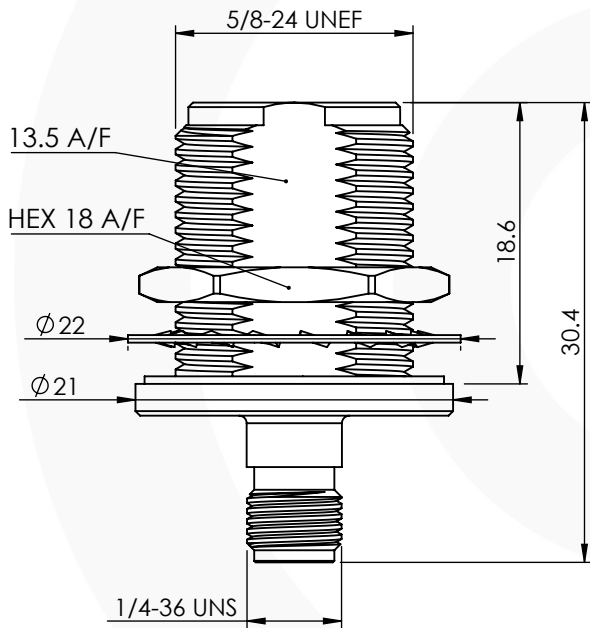


## N TYPE JACK TO SMA JACK BULKHEAD MOUNT ADAPTOR

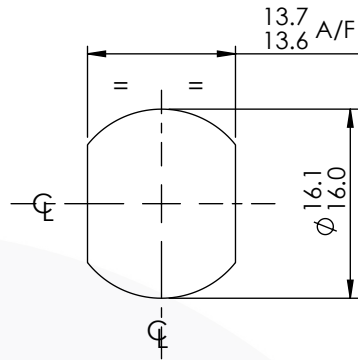
### 74-2530-501-B3



images for illustration purposes only



### RECOMMENDED MOUNTING:



### Environmental Specification

Operating Temp: -55 to +155 Deg C.  
IP Rating (Mated): IP 67

### Electrical Specification

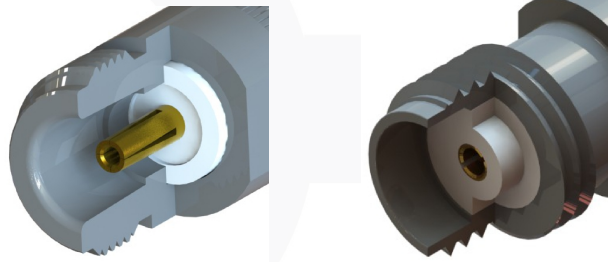
Impedance: 50 Ohm  
Frequency: 0-18 GHz  
Dielectric W/V: 1500 Veff  
Insulation res: 5000 M-Ohm

### Mechanical Specification

Contact Retention: 27 N min  
Cable Retention: Not Applicable  
Mating cycles: 100  
Weight: 29.51 g

### Connector Interface

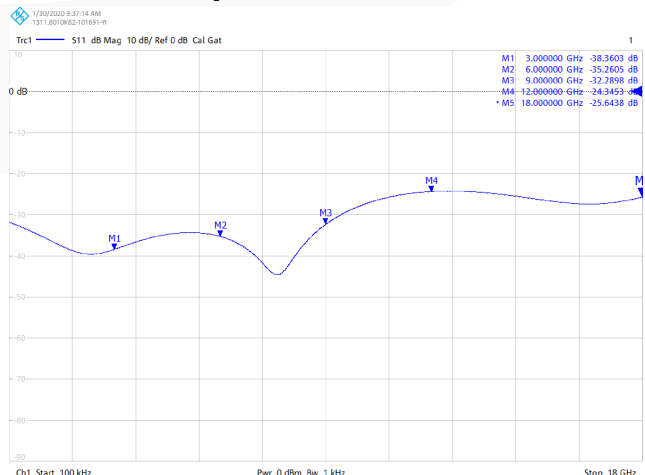
image for illustration purposes only



### Performance

- 38.36 dB @ 3.0 GHz
- 35.26 dB @ 6.0 GHz
- 32.29 dB @ 9.0 GHz
- 24.35 dB @ 12.0GHz
- 25.64 dB @ 18.0GHz

### Return Loss Graph



6	WASHER	STAINLESS STEEL	N/A
5	NUT	BRASS	NICKEL
4	GASKET	SILICONE	N/A
3	INSULATOR	PTFE	N/A
2	CENTRE CONTACT	BERYLLIUM COPPER	GOLD
1	BODIES	BRASS	NICKEL
ITEM	DESCRIPTION	MATERIAL	PLATING

<b>A4</b>	SHEET 1 OF 1	DIMENSIONS ARE IN MILLIMETRES		
REVISION :	A00	NAME	SIGNATURE	DATE
ISSUE :	1	DRAWN	G.E.	03/02/20
		CHK'D	P.P.	04/02/20
		APP'V'D		
<b>6-8 COLNE ROAD, TWICKENHAM, MIDDLESEX. TW1 4JR</b>				
<small>THE INFORMATION IS GIVEN AS AN INDICATION ONLY AND IS SUBJECT TO CHANGE WITHOUT NOTICE. IN THE CONTINUAL GOAL TO IMPROVE OUR PRODUCTS, WE RESERVE THE RIGHT TO MAKE ANY MODIFICATIONS NECESSARY WITHOUT PRIOR NOTICE.</small>				