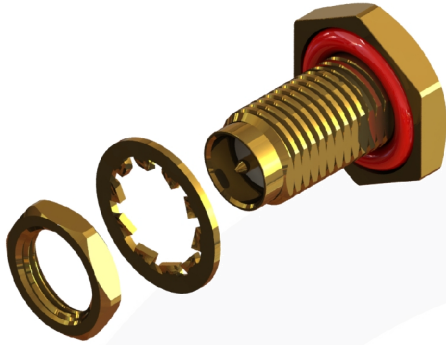
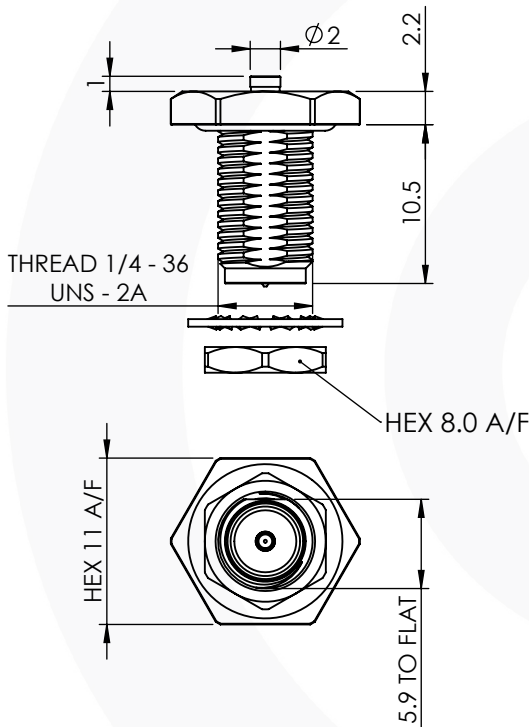


SMA RP BLKHD JACK TO UFL JACK ADAPTOR

74-3149-501-D3



images for illustration purposes only



Environmental Specification

Operating Temp: -55 to +155 Deg C.
IP Rating (Mated): IP 65

Electrical Specification

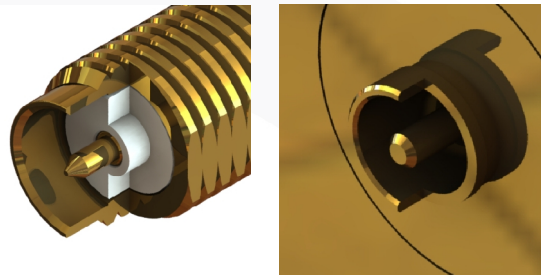
Impedance: 50 Ohm
Frequency: 0-12 GHz
Dielectric W/V: 750 Veff
Insulation res: 5000 M-Ohm

Mechanical Specification

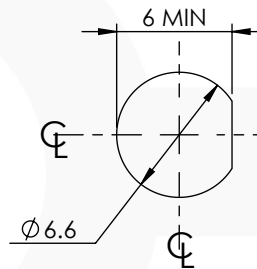
Contact Retention: 18 N min
Mating cycles (SMA): 500
Mating cycles (UFL): 50
Weight: 3.59 g

Connector Interface

image for illustration purposes only



Recommended Mounting Hole



RECOMMENDED TORQUE FOR PANEL NUT : 0.9Nm - 1.1Nm
MAXIMUM PANEL THICKNESS : 3mm

6	WASHER	STAINLESS ST.	GOLD
5	NUT	BRASS	GOLD
4	GASKET	SILICONE	N/A
3	INSULATOR	PTFE	N/A
2	CENTRE CONTACT	BRASS	GOLD
1	BODY	BRASS	GOLD
ITEM	DESCRIPTION	MATERIAL	PLATING

A4	SHEET 1 OF 1	DIMENSIONS ARE IN MILLIMETRES		
REVISION :	A01	NAME	SIGNATURE	DATE
ISSUE :	2	DRAWN	P.P.	12/04/2019
		CHK'D	G.E.	21/05/2019
		APPV'D		
<p>6-8 COLNE ROAD, TWICKENHAM, MIDDLESEX, TW1 4JR</p> <p>THE INFORMATION IS GIVEN AS AN INDICATION ONLY AND IS SUBJECT TO CHANGE WITHOUT NOTICE. IN THE CONTINUAL GOAL TO IMPROVE OUR PRODUCTS, WE RESERVE THE RIGHT TO MAKE ANY MODIFICATIONS NECESSARY WITHOUT PRIOR NOTICE.</p>				