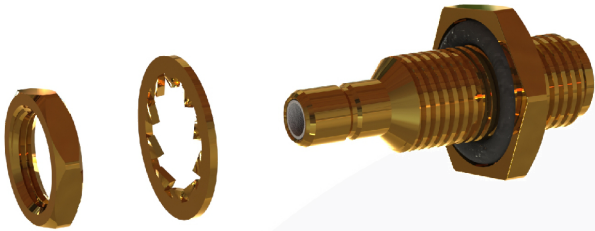
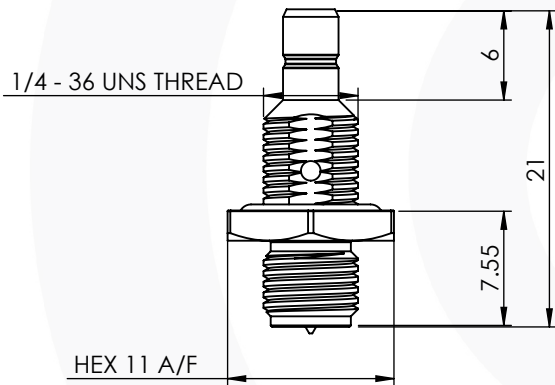
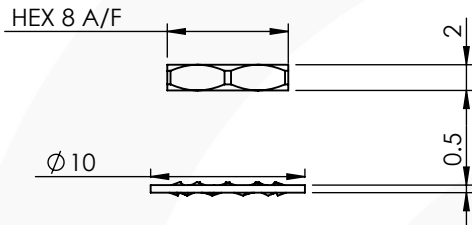


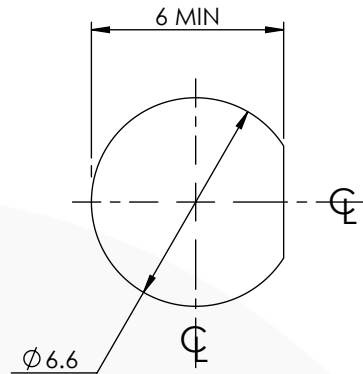
## RP SMA TO SMB HERMETICALLY SEALED BULKHEAD ADAPTOR 74-3132-541



images for illustration purposes only



### Recommended Mounting Hole



RECOMMENDED TORQUE FOR PANEL NUT: 150 N.cm

MAXIMUM PANEL THICKNESS: 6mm

### Environmental Specification

Operating Temp: -55 to +155 Deg C.

IP Rating (unmated): IP 68 @ 50m

### Electrical Specification

Impedance: 50 Ohm

Frequency: 0-6 GHz

Dielectric W/V: 1000 Veff

Insulation res: 5000 M-Ohm

### Mechanical Specification

Contact Retention: 27 N min

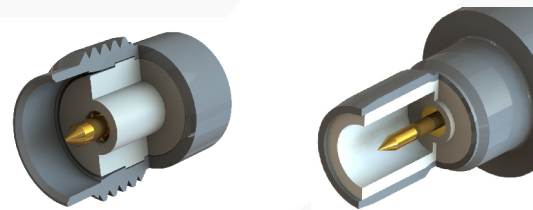
Cable Retention: N/A

Mating cycles: 500

Weight: 4.01 g

### Connector Interface

image for illustration purposes only



| 7    | INTERNAL SEAL  | EPOXY           | N/A     |
|------|----------------|-----------------|---------|
| 6    | LOCKWASHER     | ST. STEEL       | GOLD    |
| 5    | GASKET         | SILICONE        | N/A     |
| 4    | NUT            | BRASS           | GOLD    |
| 3    | INSULATOR      | PTFE            | N/A     |
| 2    | CENTRE CONTACT | PHOSPHOR BRONZE | GOLD    |
| 1    | BODY           | BRASS           | GOLD    |
| ITEM | DESCRIPTION    | MATERIAL        | PLATING |

|  |              |                               |           |            |
|--|--------------|-------------------------------|-----------|------------|
| <b>A4</b>  | SHEET 1 OF 1 | DIMENSIONS ARE IN MILLIMETRES |           |            |
| REVISION :   | A04          | NAME                          | SIGNATURE | DATE       |
| ISSUE :  | 2            | DRAWN                         | IG        | 17/02/2016 |
|  |              | CHK'D                         | GE        | 18/02/2016 |
|  |              | APP'V'D                       |           |            |
| <p>6-8 COLNE ROAD,<br/>TWICKENHAM,<br/>MIDDLESEX.<br/>TW1 4JR</p> <p>THE INFORMATION IS GIVEN AS AN INDICATION ONLY AND IS SUBJECT TO CHANGE WITHOUT NOTICE. IN THE CONTINUAL GOAL TO IMPROVE OUR PRODUCTS, WE RESERVE THE RIGHT TO MAKE ANY MODIFICATIONS NECESSARY WITHOUT PRIOR NOTICE.</p> |              |                               |           |            |