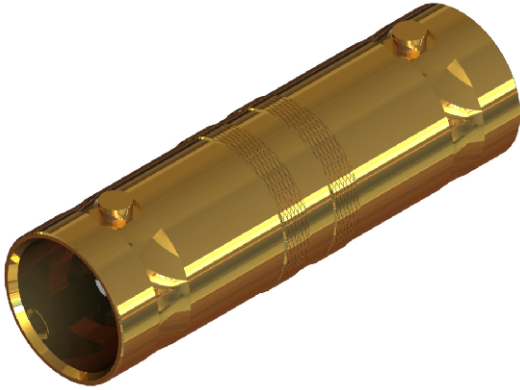
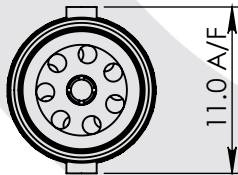
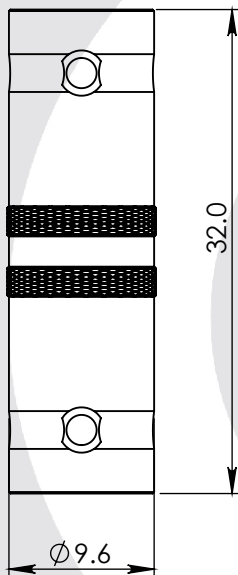


BNC STRAIGHT JACK TO JACK ADAPTOR

10-500-D66



images for illustration purposes only



Environmental Specification

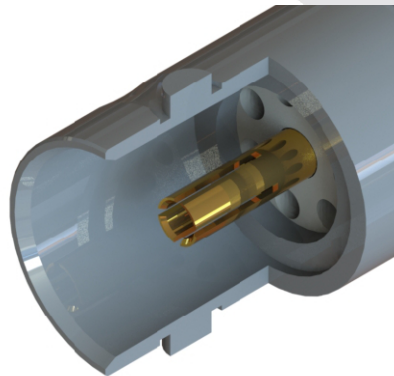
Operating Temp: -55 to +155 Deg C.
IP Rating (Mated): IP64

Electrical Specification Mechanical Specification

Impedance: 75 Ohm Contact Retention: 10 N min
Frequency: 0 - 6 GHz Cable Retention: N/A
Dielectric W/V: 1500 Veff Mating cycles: 250
Insulation res: 5000 M-Ohm Weight: 7.44 g

Connector Interface

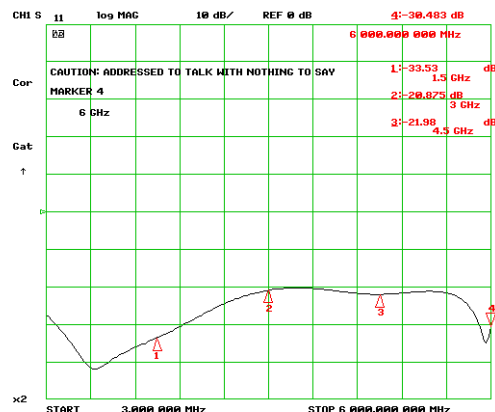
image for illustration purposes only



Performance

- 33.53 dB @ 1.5 GHz
- 20.87 dB @ 3.0 GHz
- 21.98 dB @ 4.5 GHz
- 30.48 dB @ 6.0 GHz

Return Loss Graph



3	CENTRE CONTACT	PHOS. BRONZE	GOLD
2	BODY	BRASS	GOLD
1	INSULATOR	PTFE	N/A
ITEM	DESCRIPTION	MATERIAL	PLATING
A4	SHEET 1 OF 1	DIMENSIONS ARE IN MILLIMETRES	
REVISION :	A00	NAME	SIGNATURE
ISSUE :	0	DATE	
		DRAWN	IG
		CHK'D	GE
		APPV'D	
6-8 COLNE ROAD, TWICKENHAM, MIDDLESEX. TW1 4JR		THE INFORMATION IS GIVEN AS AN INDICATION ONLY AND IS SUBJECT TO CHANGE WITHOUT NOTICE. IN THE CONTINUAL GOAL TO IMPROVE OUR PRODUCTS, WE RESERVE THE RIGHT TO MAKE ANY MODIFICATIONS NECESSARY WITHOUT PRIOR NOTICE.	