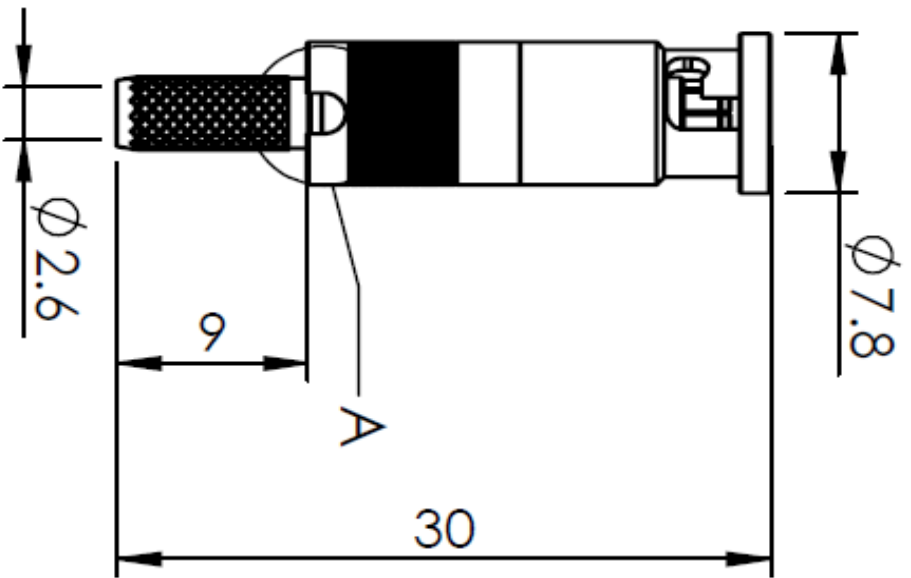
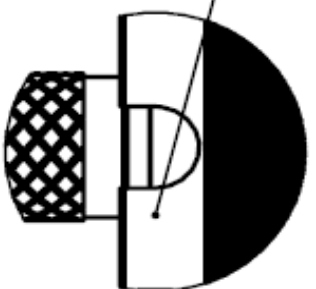
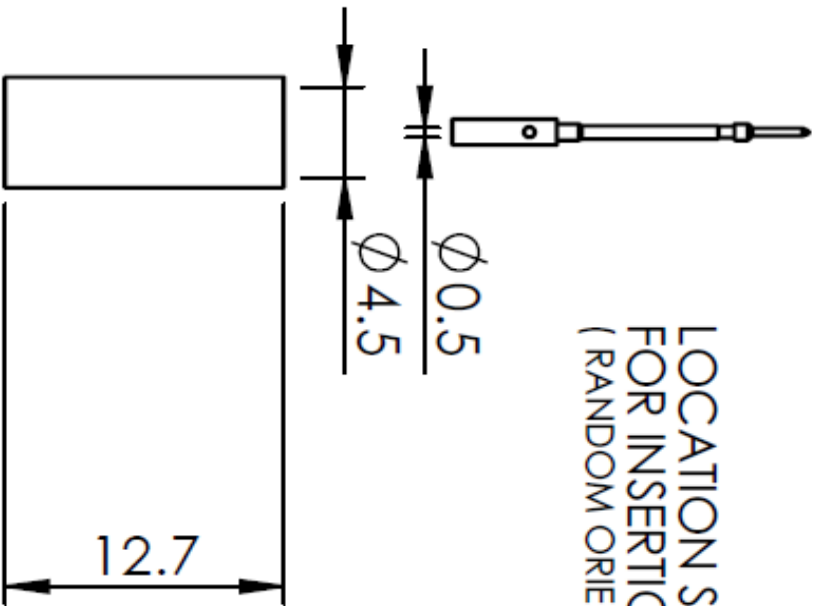


Images for illustration purposes only



LOCATION SLOT
FOR INSERTION TOOL
(RANDOM ORIENTATION)



DETAIL A

Part Number: 67-005-B66-BH