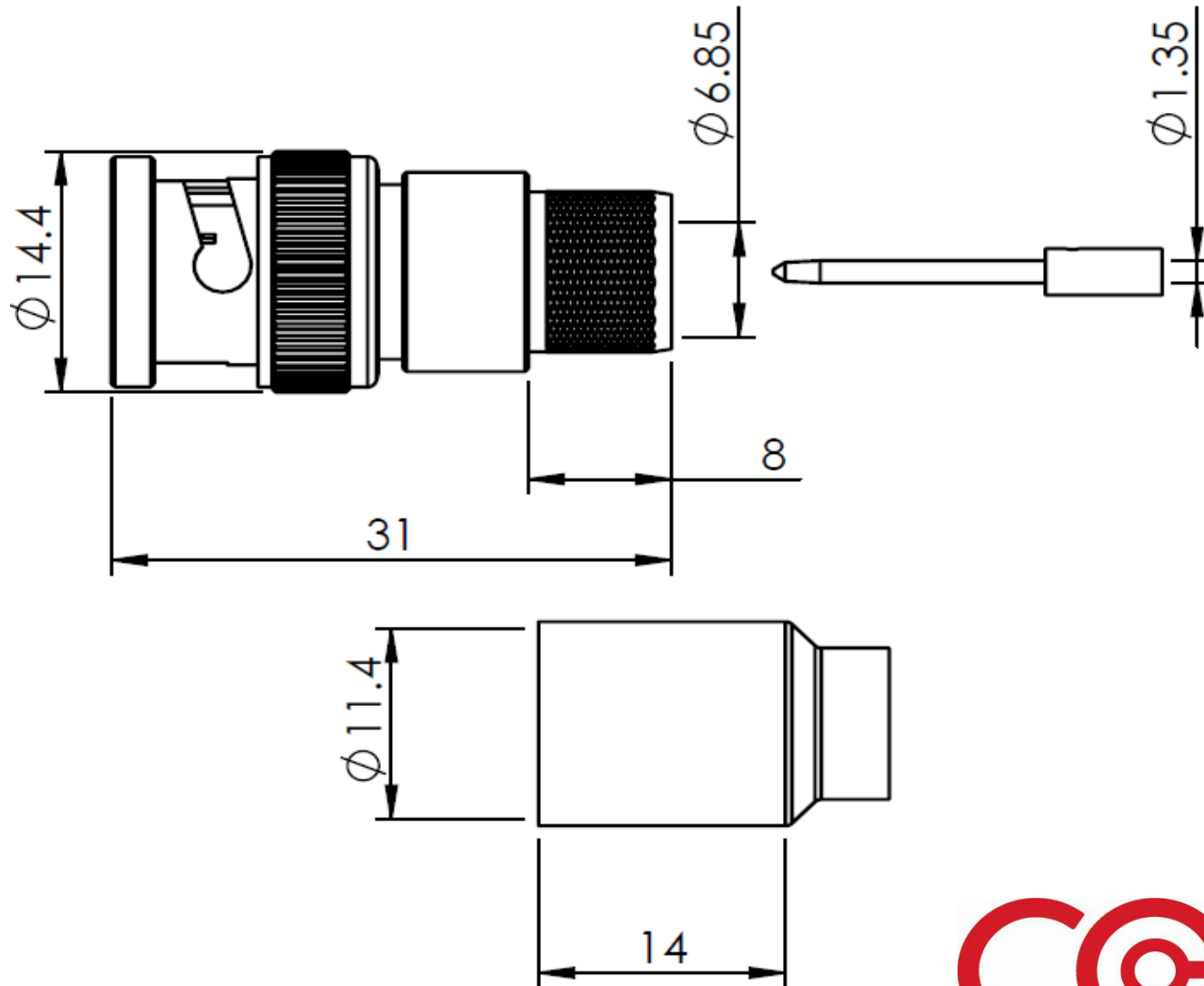


images for illustration purposes only



Part Number: 10-005-W66-FI

**COAX**  
CONNECTORS LTD