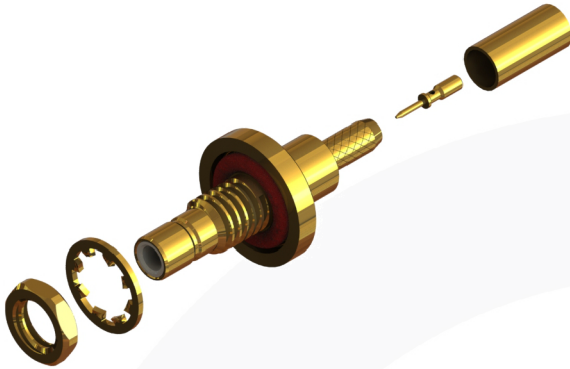
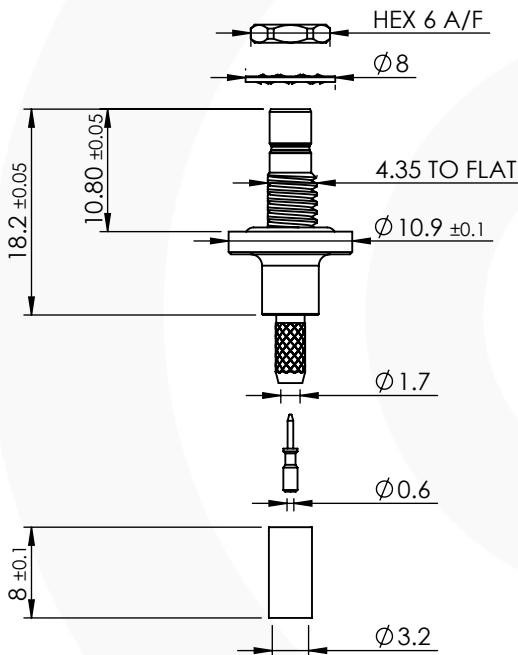


SMB STRAIGHT WATERPROOF (UNMATED) BULKHEAD CRIMP \ CRIMP JACK 32-290-D10-AD



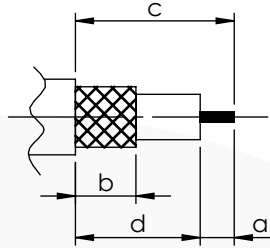
images for illustration purposes only



Suitable for Cables:

(AD) RG316, RG174, RG188, LMR100, WBC100, URM95, KX3, KX22

Stripping Dimensions



- a = 3.0 mm
- b = 6.5 mm
- c = 11.5 mm
- d = 8.5 mm

* CUT FOIL TO DIM. "b"

Assembly Procedure: AP023I

Tooling

Centre Contact: SQ 0.95mm A/F Tool No: HTS-43

Crimp Sleeve: Hex 3.25mm A/F Tool No: HTS-43

Alignment Tool: Not Applicable Extraction: Not Applicable

Environmental Specification

Operating Temp: -55 to +155 Deg C.

IP Rating (Unmated): IP 68 (3m - 2 Hours)

Electrical Specification

Impedance: 50 Ohm

Frequency: 0-4 GHz

Dielectric W/V: 1000 Veff

Insulation res: 1000 M-Ohm

Mechanical Specification

Contact Retention: 10 N min

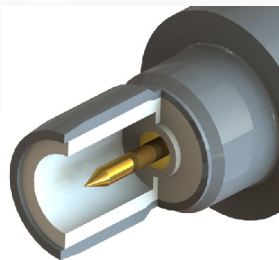
Cable Retention: 50 N min

Mating cycles: 500

Weight: 3.21 g

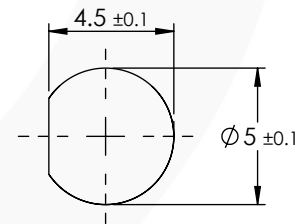
Connector Interface

image for illustration purposes only



Mounting Details

Max Panel: 2.60mm



7	INTERNAL SEAL	EPOXY	N/A
6	WASHERS	SK5	GOLD
5	NUT	BRASS	GOLD
4	GASKETS	SILICONE	N/A
3	INSULATORS	PTFE	N/A
2	CENTRE CONTACTS	BERYLLIUM COPPER	GOLD
1	BODIES	BRASS	GOLD
ITEM	DESCRIPTION	MATERIAL	PLATING

A4	SHEET 1 OF 1	DIMENSIONS ARE IN MILLIMETRES		
REVISION :	A00	NAME	SIGNATURE	DATE
ISSUE :	0	DRAWN	GE	17/01/2016
		CHK'D	IG	18/01/2016
		APP'V'D		
6-8 COLNE ROAD, TWICKENHAM, MIDDLESEX. TW1 4JR				
THE INFORMATION IS GIVEN AS AN INDICATION ONLY AND IS SUBJECT TO CHANGE WITHOUT NOTICE. IN THE CONTINUAL GOAL TO IMPROVE OUR PRODUCTS, WE RESERVE THE RIGHT TO MAKE ANY MODIFICATIONS NECESSARY WITHOUT PRIOR NOTICE.				