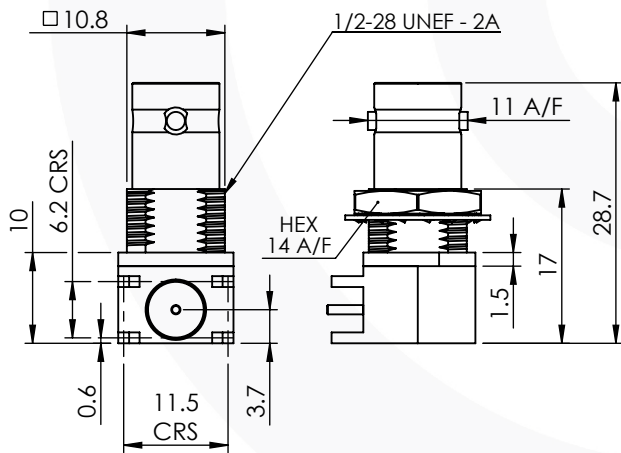
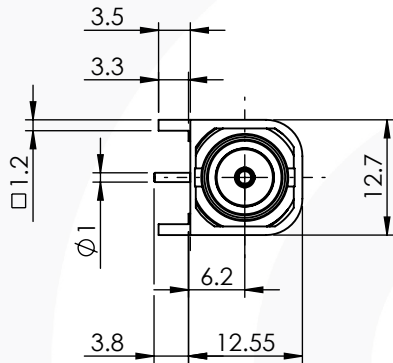


BNC RIGHT ANGLED PCB BULKHEAD JACK

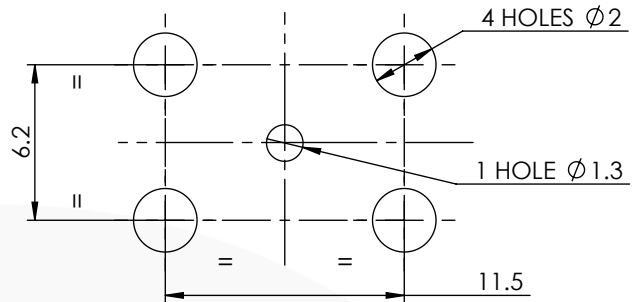
10-470-B36



images for illustration purposes only



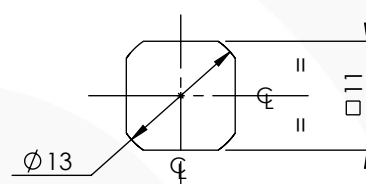
Recommended Hole Layout



Panel Thickness: 3mm Max

Recommended Panel Nut Torque = 250N.cm

Recommended Panel Cutout



Environmental Specification

Operating Temp: -55 to +155 Deg C.

IP Rating (Mated): IP 40

Electrical Specification

Impedance: 75 Ohm

Frequency: 0-4.5 GHz

Dielectric W/V: 1500 Veff

Insulation res: 5000 M-Ohm

Mechanical Specification

Contact Retention: 22 N min

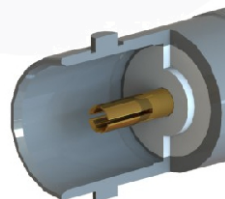
Cable Retention: Not Applicable

Mating cycles: 500

Weight: 16.96 g

Connector Interface

image for illustration purposes only



Performance

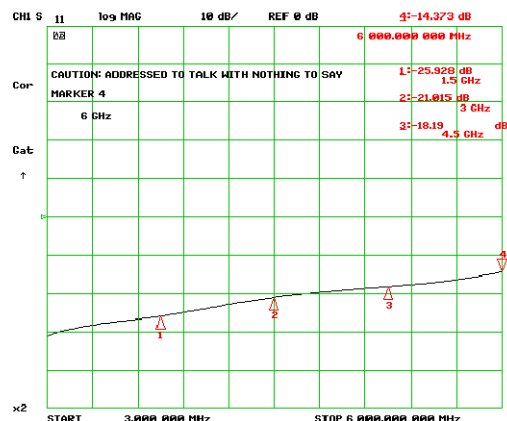
-25.93 dB @ 1.5 GHz

-21.02 dB @ 3.0 GHz

-18.19 dB @ 4.5 GHz

-14.37 dB @ 6.0 GHz

Return Loss Graph



ITEM	DESCRIPTION	MATERIAL	PLATING
5	LOCK WASHER	SK5	NICKEL
4	NUT	BRASS	NICKEL
3	INSULATOR	PTFE	N/A
2	CENTRE CONTACT	PHOSPHOR BRONZE	GOLD
1	BODIES	BRASS	NICKEL

A4 SHEET 1 OF 1		DIMENSIONS ARE IN MILLIMETRES		
REVISION :	C00	NAME	SIGNATURE	DATE
ISSUE :	1	DRAWN	GE	27-Jun-13
		CHK'D	IG	27-Jun-13
		APP'V'D		
6-8 COLNE ROAD, TWICKENHAM, MIDDLESEX. TW1 4JR				
THE INFORMATION IS GIVEN AS AN INDICATION ONLY AND IS SUBJECT TO CHANGE WITHOUT NOTICE. IN THE CONTINUAL GOAL TO IMPROVE OUR PRODUCTS, WE RESERVE THE RIGHT TO MAKE ANY MODIFICATIONS NECESSARY WITHOUT PRIOR NOTICE.				