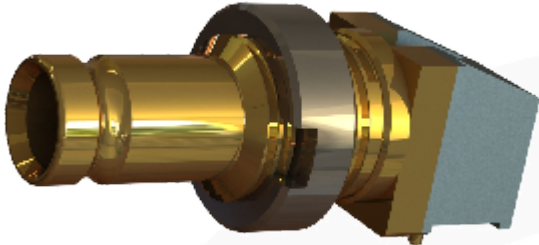
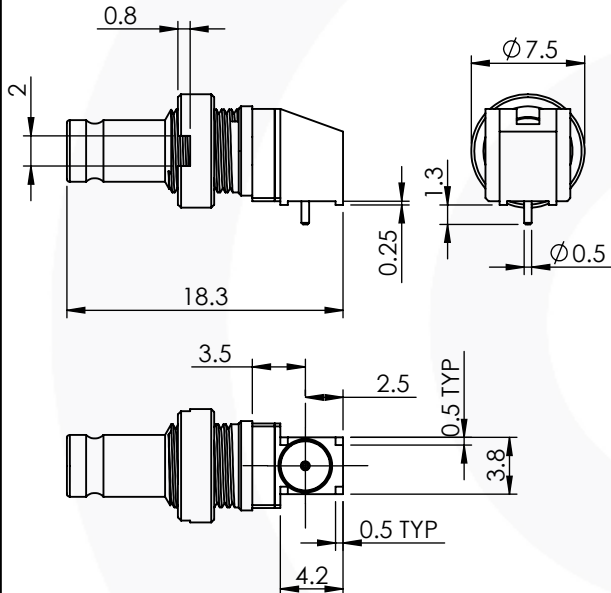


1.0/2.3 RIGHT ANGLE SURFACE MOUNT PCB BULKHEAD JACK 52-472-1-D36



images for illustration purposes only



Environmental Specification

Operating Temp: -55 to +155 Deg C.
IP Rating (Mated): N/A

Electrical Specification

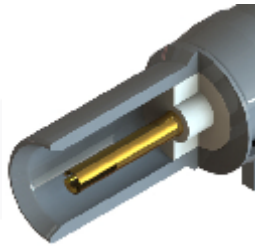
Impedance: 75 Ohm
Frequency: 0-4.5 GHz
Dielectric W/V: 750 Veff
Insulation res: 1000 M-Ohm

Mechanical Specification

Contact Retention: 20 N min
Cable Retention: N/A N min
Mating cycles: 250
Weight: 2.26 g

Connector Interface

image for illustration purposes only



5	NUT	BRASS	NICKEL
4	REAR BODY	BRASS	TIN
3	INSULATOR	PTFE	N/A
2	CENTRE CONTACT	BeCu	GOLD
1	BODY	BRASS	GOLD
ITEM	DESCRIPTION	MATERIAL	PLATING

A4	SHEET 1 OF 1	DIMENSIONS ARE IN MILLIMETRES		
REVISION :	A02	NAME	SIGNATURE	DATE
ISSUE :	0	DRAWN	BS	18/07/2017
6-8 COLNE ROAD, TWICKENHAM, MIDDLESEX. TW1 4JR		CHK'D		
		APPV'D		
THE INFORMATION IS GIVEN AS AN INDICATION ONLY AND IS SUBJECT TO CHANGE WITHOUT NOTICE. IN THE CONTINUAL GOAL TO IMPROVE OUR PRODUCTS, WE RESERVE THE RIGHT TO MAKE ANY MODIFICATIONS NECESSARY WITHOUT PRIOR NOTICE.				