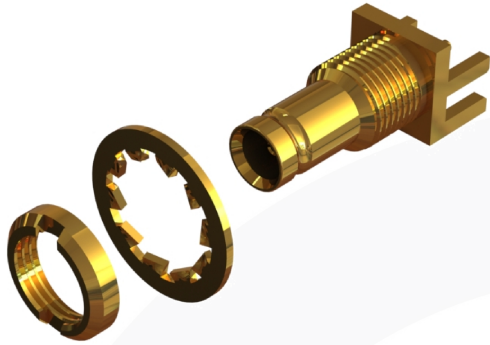
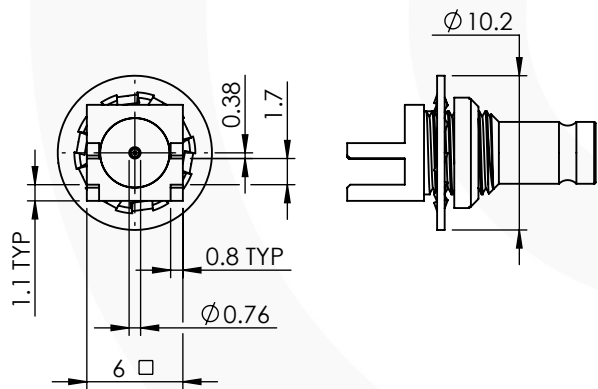
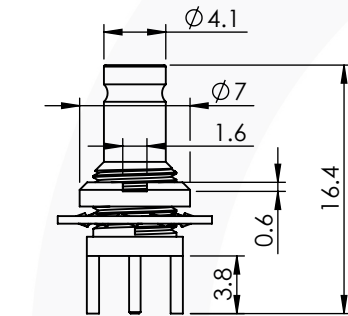


1.0/2.3 END LAUNCH BULKHEAD JACK 1.6mm

52-463-D36-1.6



images for illustration purposes only



MAX PANEL THICKNESS = 4.0

Environmental Specification

Operating Temp: -55 to +155 Deg C.

IP Rating (Mated): N/A

Electrical Specification

Impedance: 75 Ohm

Frequency: 0-6 GHz

Dielectric W/V: 750 Veff

Insulation res: 1000 M-Ohm

Mechanical Specification

Contact Retention: 10 N min

Cable Retention: N/A

Mating cycles: 500

Weight: 1.76 g

Connector Interface

Tooling

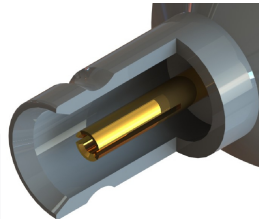
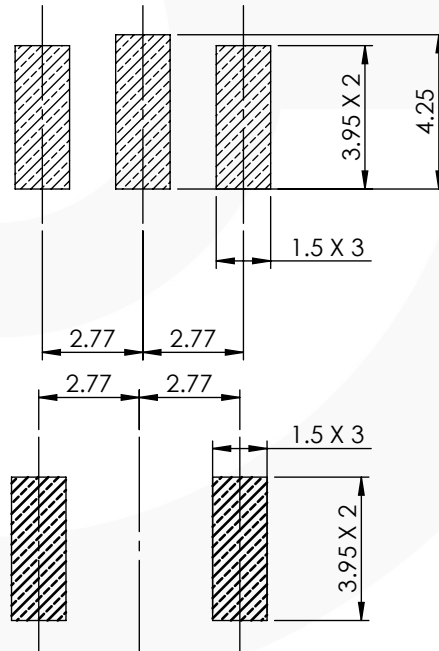


image for illustration purposes only

Castellated nut tool : 96-1138

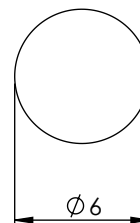
Recommended PCB Layout



TOP VIEW

BOTTOM VIEW

Recommended Mounting Hole



ITEM	DESCRIPTION	MATERIAL	PLATING
5	LOCK WASHER	BeCu	GOLD
4	NUT	BRASS	GOLD
3	INSULATOR	PTFE	N/A
2	CENTRE CONTACT	BeCu	GOLD
1	BODY	BRASS	GOLD

A4 SHEET 1 OF 1		DIMENSIONS ARE IN MILLIMETRES		
REVISION :	B00	NAME	SIGNATURE	DATE
ISSUE :	1	DRAWN	IG	18/03/13
		CHK'D	GE	18/03/13
		APPV'D		

6-8 COLNE ROAD, TWICKENHAM, MIDDLESEX. TW1 4JR

THE INFORMATION IS GIVEN AS AN INDICATION ONLY AND IS SUBJECT TO CHANGE WITHOUT NOTICE. IN THE CONTINUAL GOAL TO IMPROVE OUR PRODUCTS, WE RESERVE THE RIGHT TO MAKE ANY MODIFICATIONS NECESSARY WITHOUT PRIOR NOTICE.