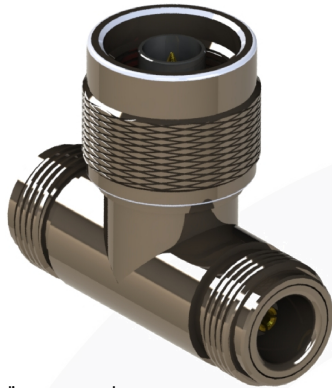
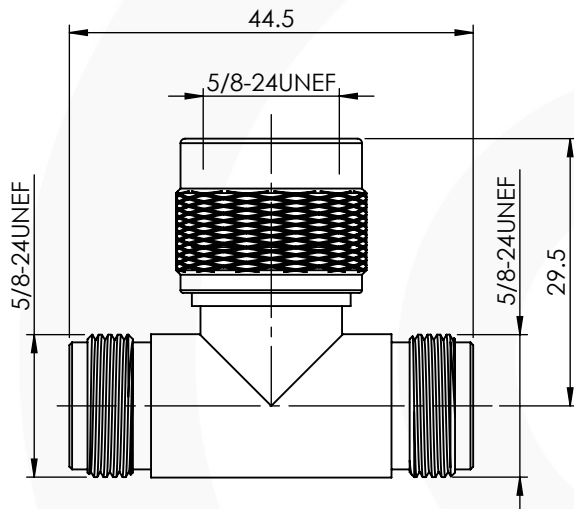


## N TYPE "T" ADAPTOR (JACK / PLUG / JACK)

### 25-523-A3



images for illustration purposes only



### Environmental Specification

Operating Temp: -55 to +155 Deg C.

IP Rating (Mated): IP 67

### Electrical Specification

Impedance: 50 Ohm

Frequency: 0-11 GHz

Dielectric W/V: 1500 Veff

Insulation res: 5000 M-Ohm

### Mechanical Specification

Contact Retention: N/A

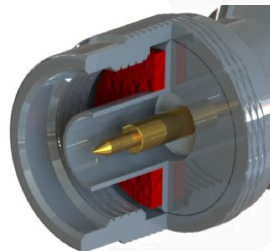
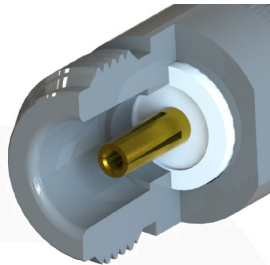
Cable Retention: N/A

Mating cycles: 500

Weight: 56.89 g

### Connector Interface

image for illustration purposes only



10	INSULATOR	PTFE	N/A
9	BODY	BRASS	NICKEL
8	FEMALE CONTACT	PH. BRONZE	GOLD
7	CENTRE PIN	PH. BRONZE	GOLD
6	INSULATOR	PTFE	N/A
5	COUPLING NUT	BRASS	NICKEL
4	RETAINING RING	PH. BRONZE	NICKEL
3	GASKET	SILICONE	N/A
2	OUTER CONTACT	BRASS	NICKEL
1	BODY	BRASS	NICKEL
ITEM	DESCRIPTION	MATERIAL	PLATING

<b>A4</b>	SHEET 1 OF 1	DIMENSIONS ARE IN MILLIMETRES		
REVISION :	A00	NAME	SIGNATURE	DATE
ISSUE :	1	DRAWN	BS	13/12/2017
		CHK'D	I.G.	01/03/2018
		APP'V'D		
<b>6-8 COLNE ROAD, TWICKENHAM, MIDDLESEX. TW1 4JR</b>				
<small>THE INFORMATION IS GIVEN AS AN INDICATION ONLY AND IS SUBJECT TO CHANGE WITHOUT NOTICE. IN THE CONTINUAL GOAL TO IMPROVE OUR PRODUCTS, WE RESERVE THE RIGHT TO MAKE ANY MODIFICATIONS NECESSARY WITHOUT PRIOR NOTICE.</small>				