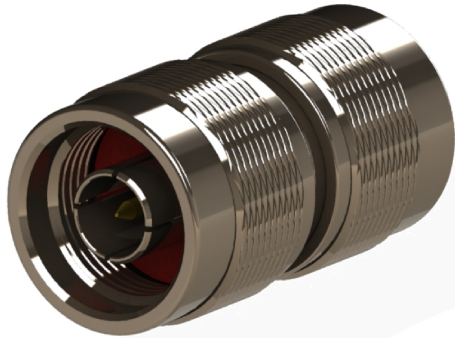
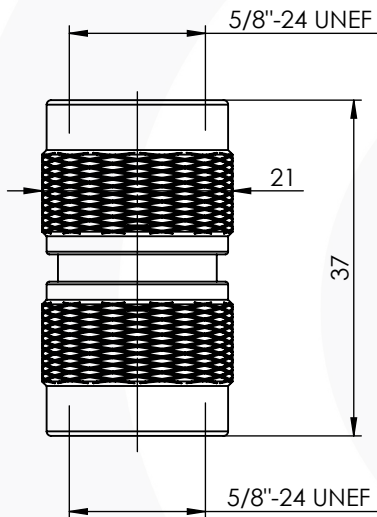


N TYPE STRAIGHT PLUG/ PLUG ADAPTOR 25-514-B3



images for illustration purposes only



Environmental Specification

Operating Temp: -55 to +155 Deg C.
IP Rating (Mated): IP 67

Electrical Specification

Impedance: 50 Ohm
Frequency: 0-11 GHz
Dielectric W/V: 1500 Veff
Insulation res: 5000 M-Ohm

Mechanical Specification

Contact Retention: 27 N min
Cable Retention: 6.6 N min
Mating cycles: 500
Weight: 56.89 g

Connector Interface

image for illustration purposes only



7	COUPLING NUT	BRASS	NICKEL
6	RETAINING RING	BRASS	NICKEL
5	GASKET	SILICONE	N/A
4	CONTACT	BRASS	GOLD
3	INSULATOR	PTFE	N/A
2	OUTER CONTACT	BRASS	NICKEL
1	BODY	BRASS	NICKEL
ITEM	DESCRIPTION	MATERIAL	PLATING

A4	SHEET 1 OF 1	DIMENSIONS ARE IN MILLIMETRES		
REVISION :	A00	NAME	SIGNATURE	DATE
ISSUE :	1	DRAWN	BS	21/11/2017
		CHK'D	I.G.	05/02/2018
		APPV'D		
6-8 COLNE ROAD, TWICKENHAM, MIDDLESEX. TW1 4JR				
<small>THE INFORMATION IS GIVEN AS AN INDICATION ONLY AND IS SUBJECT TO CHANGE WITHOUT NOTICE. IN THE CONTINUAL GOAL TO IMPROVE OUR PRODUCTS, WE RESERVE THE RIGHT TO MAKE ANY MODIFICATIONS NECESSARY WITHOUT PRIOR NOTICE.</small>				