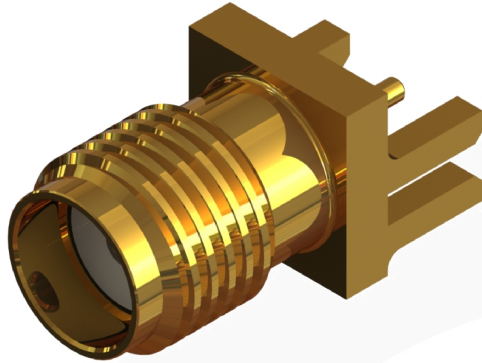
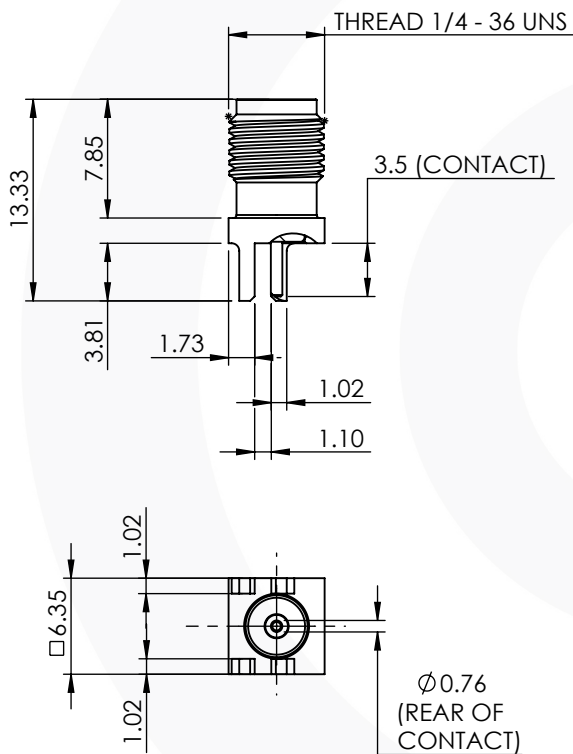


## SMA STRAIGHT END LAUNCH JACK

### 30-462-D3-1.1mm



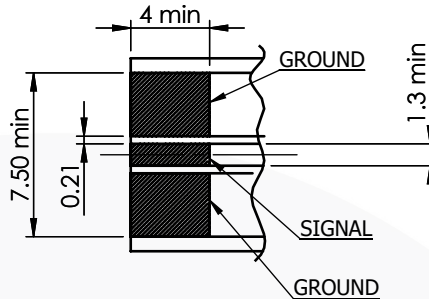
images for illustration purposes only



### Suitable for Cables:

Not Applicable

### PCB Layout Dimensions



THICKNESS OF PCB:  
1.10 MAX

PCB MATERIAL:  
GLASS EPOXY RESIN  
(Er=4.8)

### Environmental Specification

Operating Temp: -55 to +155 Deg C.

IP Rating (Mated): IP 40

### Electrical Specification

Impedance: 50 Ohm

Frequency: 0-18 GHz

Dielectric W/V: 750 Veff

Insulation res: 5000 M-Ohm

### Mechanical Specification

Contact Retention: 18 N min

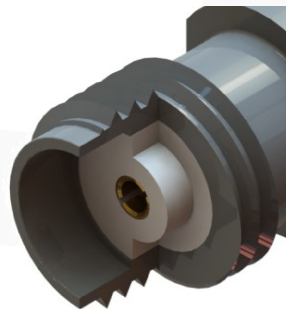
Cable Retention: Not Applicable

Mating cycles: 100

Weight: 1.54 g

### Connector Interface

image for illustration purposes only



ITEM	DESCRIPTION	MATERIAL	PLATING
3	INSULATOR	PTFE	N/A
2	CENTRE CONTACT	BERYLLIUM COPPER	GOLD
1	BODY	BRASS	GOLD

A4 SHEET 1 OF 1		DIMENSIONS ARE IN MILLIMETRES		
REVISION :	A00	NAME	SIGNATURE	DATE
ISSUE :	1	DRAWN	G.E.	14/03/19
		CHK'D	I.G.	14/03/19
		APPV'D		

THE INFORMATION IS GIVEN AS AN INDICATION ONLY AND IS SUBJECT TO CHANGE WITHOUT NOTICE. IN THE CONTINUAL GOAL TO IMPROVE OUR PRODUCTS, WE RESERVE THE RIGHT TO MAKE ANY MODIFICATIONS NECESSARY WITHOUT PRIOR NOTICE.