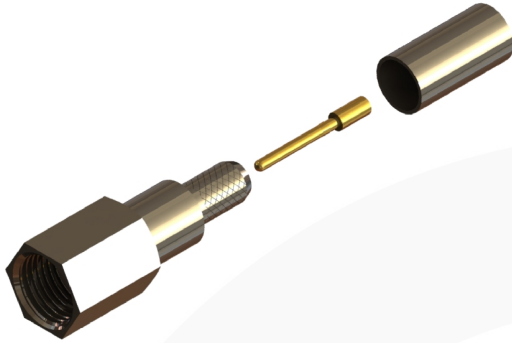
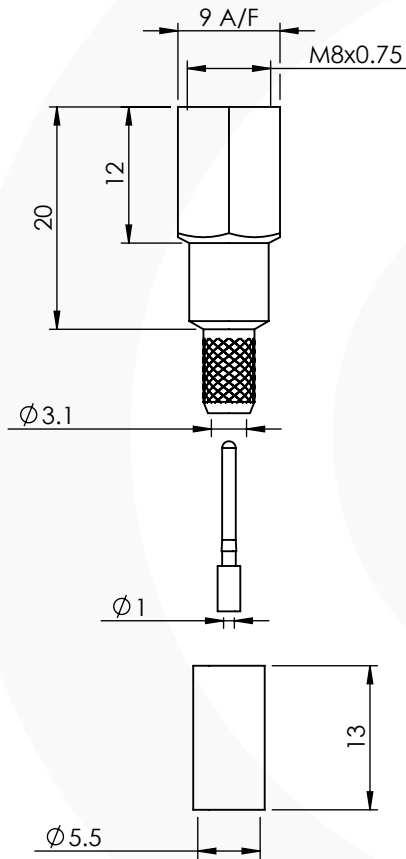


FME STRAIGHT CRIMP/CRIMP PLUG 22-005-A0-AH



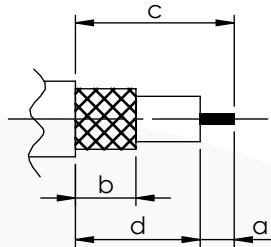
images for illustration purposes only



Suitable for Cables:

(AH) RG58, RG141, LMR195, URM43, URM76, WBC195, PSF 1/6, KX15, KX23

Stripping Dimensions



a = 2.8 mm
b = 6.2 mm
c = 11.3 mm
d = 8.5 mm

* CUT FOIL TO DIM. "b"

Tooling

Centre Contact: Hex 1.72mm A/F Tool No:96-HTS-75 or 336A

Crimp Sleeve: Hex 5.41mm A/F Tool No:96-HTS-75 or 336A

Environmental Specification

Operating Temp: -55 to +155 Deg C.

IP Rating (Mated): IP 54

Electrical Specification

Impedance: 50 Ohm

Frequency: 0-2 GHz

Dielectric W/V: 1000 Veff

Insulation res: 5000 M-Ohm

Mechanical Specification

Contact Retention: 18 N min

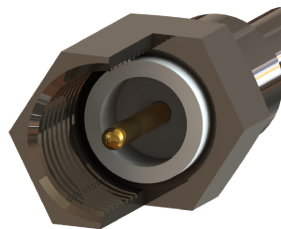
Cable Retention: 85 N min

Mating cycles: 500

Weight: 6.46 g

Connector Interface

image for illustration purposes only



4	CRIMP SLEEVE	BRASS	NICKEL
3	INSULATOR	PTFE	N/A
2	CENTRE CONTACT	BRASS	GOLD
1	BODY	BRASS	NICKEL
ITEM	DESCRIPTION	MATERIAL	PLATING

A4	SHEET 1 OF 1	DIMENSIONS ARE IN MILLIMETRES		
REVISION :	A00	NAME	SIGNATURE	DATE
ISSUE :	1	DRAWN	P.P.	13/06/2019
		CHK'D	P.S.	13/06/2019
		APPV'D		
6-8 COLNE ROAD, TWICKENHAM, MIDDLESEX. TW1 4JR				
THE INFORMATION IS GIVEN AS AN INDICATION ONLY AND IS SUBJECT TO CHANGE WITHOUT NOTICE. IN THE CONTINUAL GOAL TO IMPROVE OUR PRODUCTS, WE RESERVE THE RIGHT TO MAKE ANY MODIFICATIONS NECESSARY WITHOUT PRIOR NOTICE.				