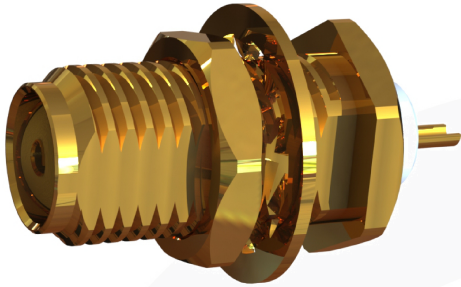
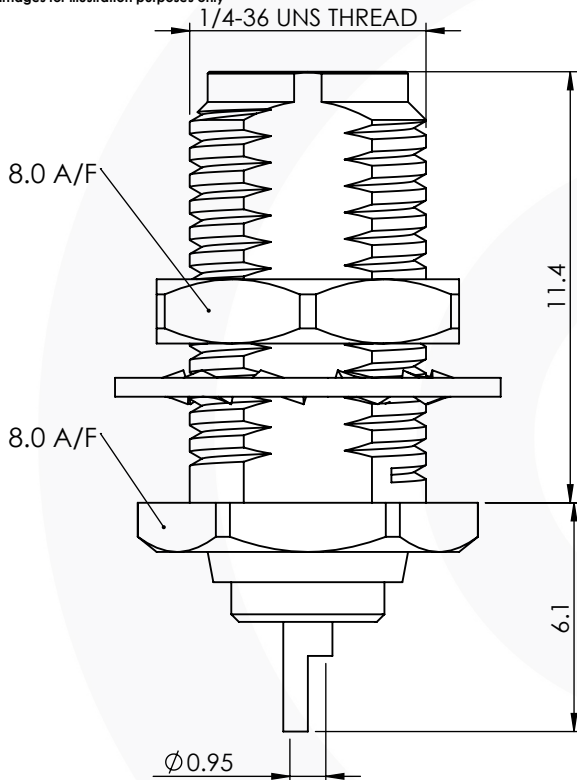


SMA REAR MOUNT BULKHEAD SOLDER RECEPTACLE JACK

30-352-D3



images for illustration purposes only



Suitable for Cables:

NOT APPLICABLE

Environmental Specification

Operating Temp: -55 to +155 Deg C.

IP Rating (Mated): IP 40

Electrical Specification Mechanical Specification

Impedance: 50 Ohm

Contact Retention: 27 N min

Frequency: 0 - 12 GHz

Cable Retention: N/A

Dielectric W/V: 750 Veff

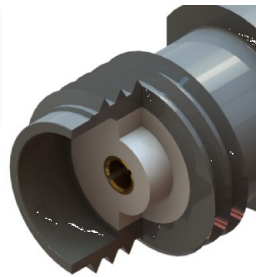
Mating cycles: 500

Insulation res: 5000 M-Ohm

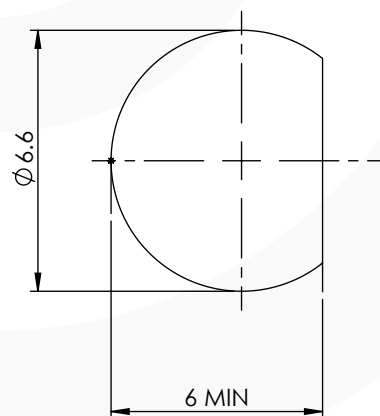
Weight: 2.79 g

Connector Interface

image for illustration purposes only



Recommended Mounting Hole



4.0mm MAX PANEL THICKNESS

5	WASHER	PHOSPHOR BRONZE	GOLD
4	NUT	BRASS	GOLD
3	INSULATOR	PTFE	N/A
2	CENTRE CONTACT	BERYLLIUM COPPER	GOLD
1	BODY	BRASS	GOLD
ITEM	DESCRIPTION	MATERIAL	PLATING

A4	SHEET 1 OF 1	DIMENSIONS ARE IN MILLIMETRES		
REVISION :	A01	NAME	SIGNATURE	DATE
ISSUE :	1	DRAWN	IG	01/06/2017
		CHK'D	GE	02/06/2017
		APPV'D		
6-8 COLNE ROAD, TWICKENHAM, MIDDLESEX. TW1 4JR				
<small>THE INFORMATION IS GIVEN AS AN INDICATION ONLY AND IS SUBJECT TO CHANGE WITHOUT NOTICE. IN THE CONTINUAL GOAL TO IMPROVE OUR PRODUCTS, WE RESERVE THE RIGHT TO MAKE ANY MODIFICATIONS NECESSARY WITHOUT PRIOR NOTICE.</small>				