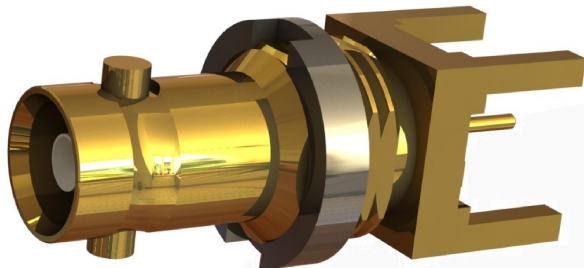
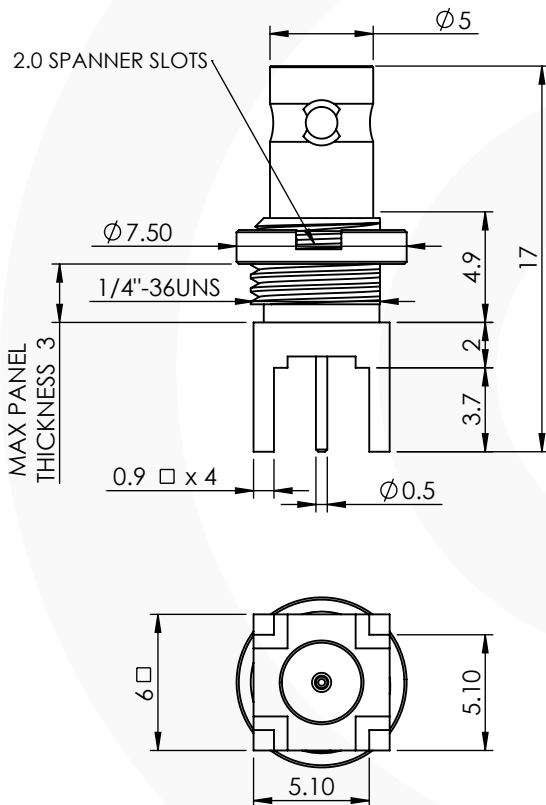


## MICRO BNC BULKHEAD THROUGH HOLE JACK

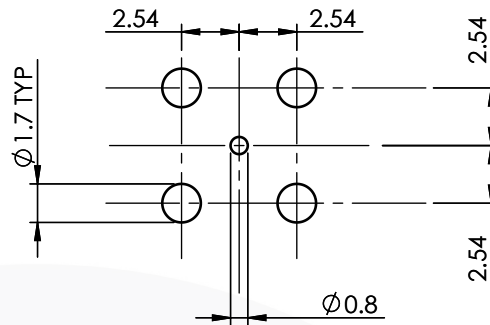
### 67-454-D66



images for illustration purposes only



## Recommended PCB Layout



## Tooling

Centre Contact: Not Applicable      Tool No: Not Applicable

Crimp Sleeve: Not Applicable      Tool No: Not Applicable

Castellated Nut Spanner: 96-1135

## Environmental Specification

Operating Temp: -55 to +155 Deg C.

IP Rating (Mated): IP64

## Electrical Specification

Impedance: 75 Ohm

Frequency: 0-6 GHz

Dielectric W/V: 1000 Veff

Insulation res: 1000 M-Ohm

## Mechanical Specification

Contact Retention: 15 N min

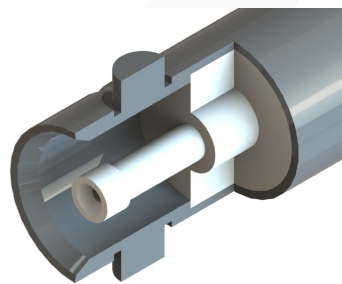
Cable Retention: N/A N min

Mating cycles: 500

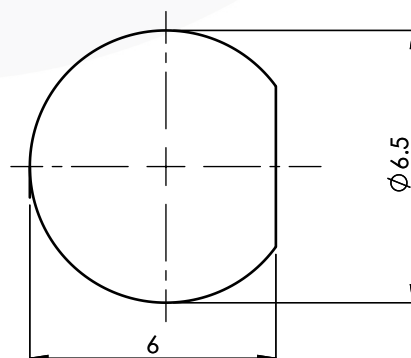
Weight: 2.35 g

## Connector Interface

image for illustration purposes only



## Recommended Mounting Hole



4	NUT	BRASS	NICKEL
3	INSULATOR	PTFE	N/A
2	CENTRE CONTACT	BeCu	GOLD
1	BODY	BRASS	GOLD
ITEM	DESCRIPTION	MATERIAL	PLATING

<b>A4</b>	SHEET 1 OF 1	DIMENSIONS ARE IN MILLIMETRES				
REVISION :	B03		NAME	SIGNATURE	DATE	
DRAWN :	1		IG		24/05/2012	
ISSUE :			CHK'D	GE		31/05/2012
			APPV'D			
6-8 COLNE ROAD, TWICKENHAM, MIDDLESEX. TW1 4JR						
THE INFORMATION IS GIVEN AS AN INDICATION ONLY AND IS SUBJECT TO CHANGE WITHOUT NOTICE. IN THE CONTINUAL GOAL TO IMPROVE OUR PRODUCTS, WE RESERVE THE RIGHT TO MAKE ANY MODIFICATIONS NECESSARY WITHOUT PRIOR NOTICE.						