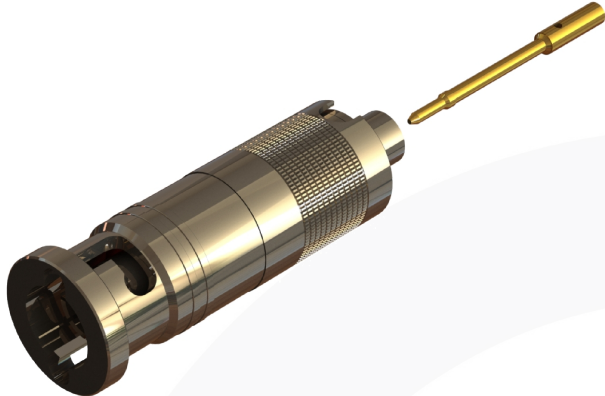
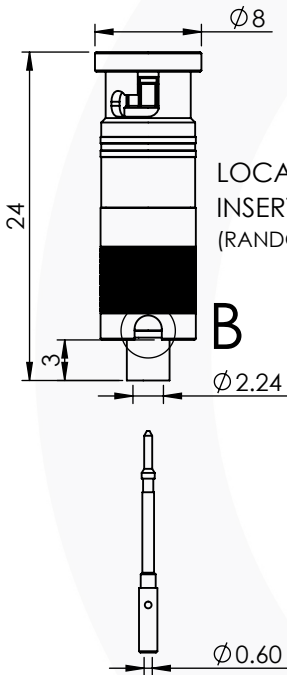


MICRO BNC 50 OHM SOLDER

67-005-B3-HA



images for illustration purposes only



LOCATION SLOT FOR
INSERTION TOOL
(RANDOM ORIENTATION)

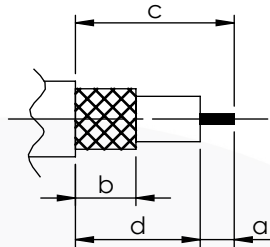
B

DETAIL B

Suitable for Cables:

(HA) RG405 (0.085"), UT85

Stripping Dimensions



- a = 4.0 mm
- b = 8.0 mm
- c = 16.0 mm
- d = 12.0 mm

* CUT FOIL TO DIM. "b"

Assembly Procedure: AP001

Tooling

- Centre Contact: Solder Tool No: Solder
- Crimp Sleeve: Not Applicable Tool No: Not Applicable
- Extraction: 96-1132

Environmental Specification

Operating Temp: -55 to +155 Deg C.
IP Rating (Mated): IP 64

Electrical Specification

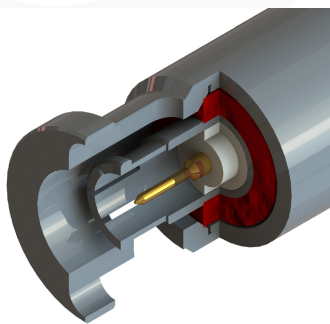
Impedance: 50 Ohm
Frequency: 0-6 GHz
Dielectric W/V: 1000 Veff
Insulation res: 10000 M-Ohm

Mechanical Specification

Contact Retention: 10 N min
Cable Retention: 150 N min
Mating cycles: 500
Weight: 5.15 g

Connector Interface

image for illustration purposes only



Note - 50 and 75 ohm versions of Micro BNC connectors are not compatible and permanent damage to the connector may occur if mated.

7	WASHERS	SK5	NICKEL
6	OUTER BODY	BRASS	NICKEL
5	GASKET	SILICONE	N/A
4	CRIMP SLEEVE	BRASS	NICKEL
3	INSULATOR	PTFE	N/A
2	CENTRE CONTACT	BERYLLIUM COPPER	GOLD
1	BODY	BRASS	NICKEL
ITEM	DESCRIPTION	MATERIAL	PLATING

A4	SHEET 1 OF 1	DIMENSIONS ARE IN MILLIMETRES		
REVISION :	A04	NAME	SIGNATURE	DATE
ISSUE :	1	DRAWN	S.O'D.	28/07/2016
		CHK'D	I.G.	28/07/2016
		APPV'D		
<p>6-8 COLNE ROAD, TWICKENHAM, MIDDLESEX. TW1 4JR</p> <p>THE INFORMATION IS GIVEN AS AN INDICATION ONLY AND IS SUBJECT TO CHANGE WITHOUT NOTICE. IN THE CONTINUAL GOAL TO IMPROVE OUR PRODUCTS, WE RESERVE THE RIGHT TO MAKE ANY MODIFICATIONS NECESSARY WITHOUT PRIOR NOTICE.</p>				