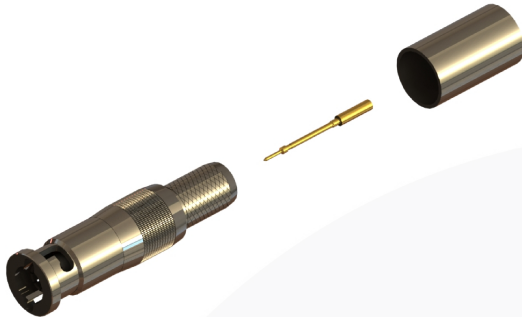
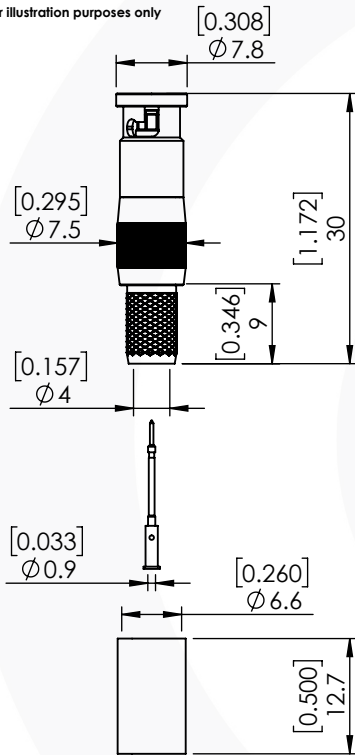


## MICRO BNC STRAIGHT CRIMP / CRIMP PLUG

### 67-005-B66-FB1



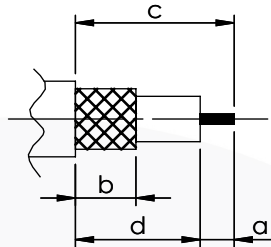
images for illustration purposes only



### Suitable for Cables:

(FB) Belden 1505A, Draka 0.8/3.7 A/F, Image 720

### Stripping Dimensions



a = 4.0 mm [0.1575"]  
 b = 8.0 mm [0.3150"]  
 c = 16.0 mm [0.6299"]  
 d = 12.0 mm [0.4724"]

\* CUT FOIL TO DIM. "b"

### Assembly Procedure: AP001

### Tooling

Centre Contact: SQ 1.07 [0.0421"] A/F Tool No: 96-HTS-77

Crimp Sleeve: HEX 6.48 [0.255"] A/F Tool No: 96-HTS-77

Alignment Tool: Not Applicable Extraction: 96-1132

### Environmental Specification

Operating Temp: -55 to +155 Deg C.

IP Rating (Mated): IP 64

### Electrical Specification

Impedance: 75 Ohm

Frequency: 0-12 GHz

Dielectric W/V: 1000 Veff

Insulation res: 10000 M-Ohm

### Mechanical Specification

Contact Retention: 10 N min

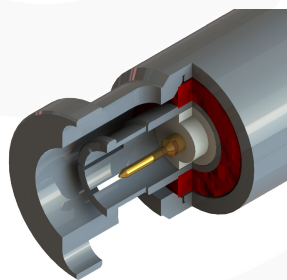
Cable Retention: 150 N min

Mating cycles: 500

Weight: 6.39 g

### Connector Interface

image for illustration purposes only



7	SPRING	STAINLESS STEEL	N/A
6	COUPLING NUT	BRASS	NICKEL
5	GASKET	SILICONE	N/A
4	CRIMP SLEEVE	BRASS	NICKEL
3	INSULATOR	PTFE	N/A
2	CENTRE CONTACT	BeCu	GOLD
1	BODY	BRASS	NICKEL
ITEM	DESCRIPTION	MATERIAL	PLATING

<b>A4</b>	SHEET 1 OF 1	DIMENSIONS ARE IN MILLIMETRES			
REVISION :	A03		NAME	SIGNATURE	DATE
DRAWN			G.E.		07/07/2016
ISSUE :	1		CHK'D	I.G.	07/07/2016
			APPV'D		
<b>6-8 COLNE ROAD, TWICKENHAM, MIDDLESEX, TW1 4JR</b>					
<small>THE INFORMATION IS GIVEN AS AN INDICATION ONLY AND IS SUBJECT TO CHANGE WITHOUT NOTICE. IN THE CONTINUAL GOAL TO IMPROVE OUR PRODUCTS, WE RESERVE THE RIGHT TO MAKE ANY MODIFICATIONS NECESSARY WITHOUT PRIOR NOTICE.</small>					