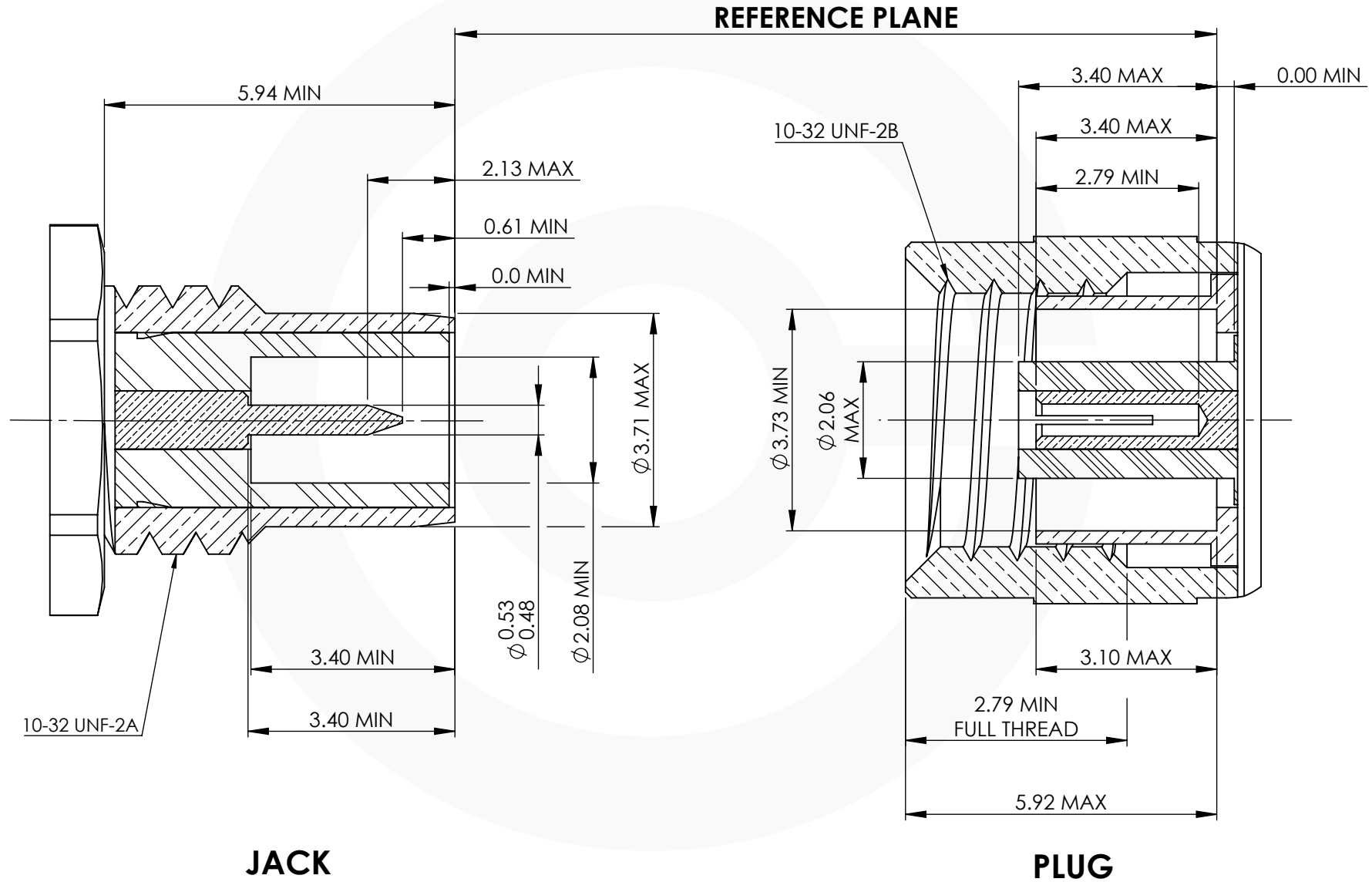


© 2013. THIS DOCUMENT IS THE PROPERTY OF COAX CONNECTORS LTD. REPRODUCTION OR COMMUNICATION IN ANY FORM TO A THIRD PARTY IS PROHIBITED WITHOUT PRIOR WRITTEN CONSENT

PRODUCT INTERFACE SMC RANGE

REFERENCE ONLY



COAX CONNECTORS LTD
6-8 COLNE ROAD,
TWICKENHAM,
MIDDLESEX.
TW1 4JR

THE INFORMATION IS GIVEN AS AN INDICATION ONLY AND IS SUBJECT TO CHANGE WITHOUT NOTICE. IN THE CONTINUAL GOAL TO IMPROVE OUR PRODUCTS, WE RESERVE THE RIGHT TO MAKE ANY MODIFICATIONS NECESSARY WITHOUT PRIOR NOTICE.

DIMENSIONS ARE IN MILLIMETRES	SHEET 1 OF 1	A4L	NAME	SIGNATURE	DATE
REVISION :	A00	DRAWN	G.E		19/10/2021
ISSUE :	1	CHK'D	P.S		19/10/2021
		APPV'D			

Model File: C:\Fusion Components Ltd\CAD Data\Drawings\WEB INTERFACES\SMC Cad File: C:\Fusion Components Ltd\CAD Data\Drawings\WEB INTERFACES\VC - SMC