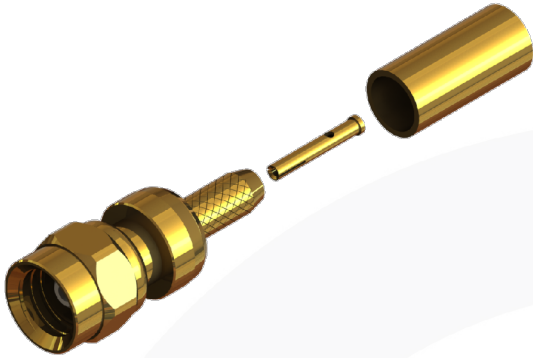
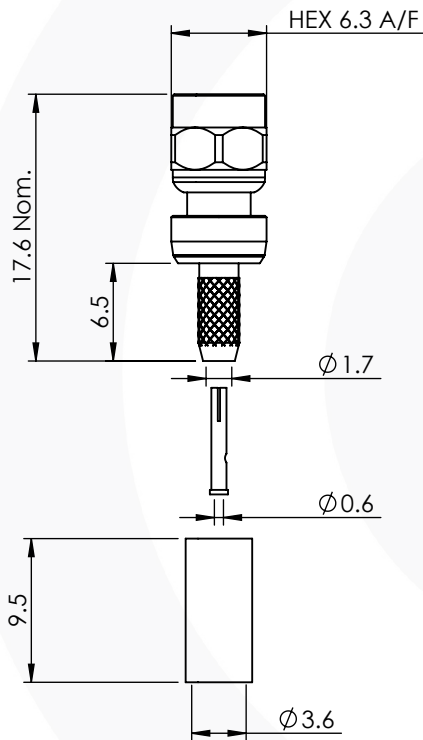


## SMC STRAIGHT SOLDER\CRIMP PLUG 34-008-D3-AE



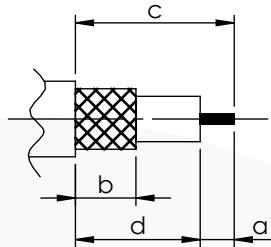
images for illustration purposes only



### Suitable for Cables:

(AE) RD316, RD188

### Stripping Dimensions



a = 2.5 mm  
b = 7.0 mm  
c = 12.5 mm  
d = 8.0 mm

\* CUT FOIL TO DIM. "b"

### Assembly Procedure:

#### Tooling

Centre Contact: Solder Tool No: Solder

Crimp Sleeve: HEX 3.84mm A/F Tool No: 336J

Alignment Tool: Not Applicable Extraction: Not Applicable

### Environmental Specification

Operating Temp: -55 to +155 Deg C.

IP Rating (Mated): NONE

### Electrical Specification

Impedance: 50 Ohm

Frequency: 0-4 GHz

Dielectric W/V: 750 Veff

Insulation res: 1000 M-Ohm

### Mechanical Specification

Contact Retention: 10 N min

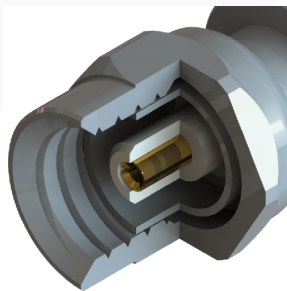
Cable Retention: 100 N min

Mating cycles: 500

Weight: 2.35 g

### Connector Interface

image for illustration purposes only



6	COUPLING NUT	BRASS	GOLD
5	REAR BODY	BRASS	GOLD
4	CRIMP SLEEVE	BRASS	GOLD
3	INSULATOR	PTFE	N/A
2	CENTRE CONTACT	BERYLLIUM COPPER	GOLD
1	BODY	BRASS	GOLD
ITEM	DESCRIPTION	MATERIAL	PLATING

<b>A4</b>	SHEET 1 OF 1	DIMENSIONS ARE IN MILLIMETRES		
REVISION :	A00	NAME	SIGNATURE	DATE
ISSUE :	1	DRAWN	G.E.	19/10/2021
		CHK'D	P.S.	19/10/2021
		APP'V'D		
6-8 COLNE ROAD, TWICKENHAM, MIDDLESEX. TW1 4JR				
THE INFORMATION IS GIVEN AS AN INDICATION ONLY AND IS SUBJECT TO CHANGE WITHOUT NOTICE. IN THE CONTINUAL GOAL TO IMPROVE OUR PRODUCTS, WE RESERVE THE RIGHT TO MAKE ANY MODIFICATIONS NECESSARY WITHOUT PRIOR NOTICE.				