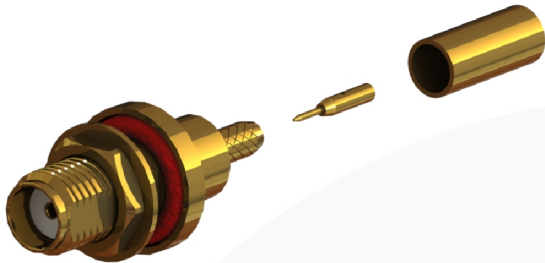
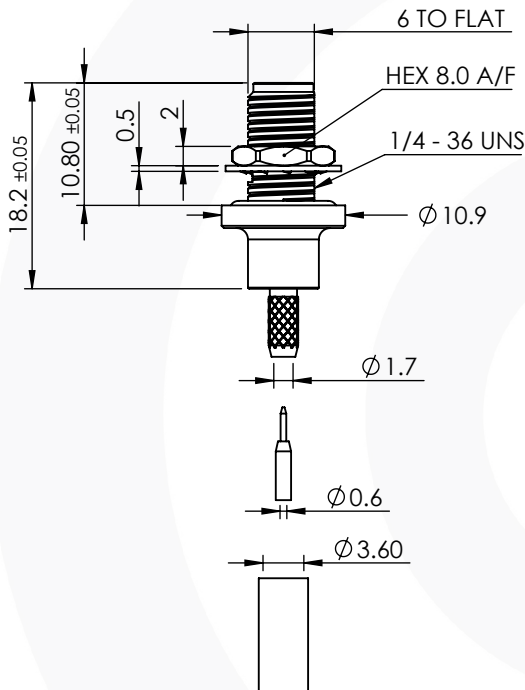


SMA STRAIGHT WATERPROOF (UNMATED) BULKHEAD CRIMP \ CRIMP JACK 30-290-D10-AE



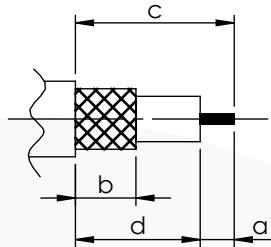
images for illustration purposes only



Suitable for Cables:

(AE) RD316, RD188

Stripping Dimensions



a = 3.5 mm
b = 6.0 mm
c = 10.5 mm
d = 7.2 mm

* CUT FOIL TO DIM. "b"

Assembly Procedure: AP050

Tooling

Centre Contact: SQ 1.07mm A/F Tool No: 336J

Crimp Sleeve: HEX 3.84mm A/F Tool No: 336J

Alignment Tool: Not Applicable Extraction: Not Applicable

Environmental Specification

Operating Temp: -40 to +155 Deg C.

IP Rating (Unmated): IP 68 (3m - 2 Hours)

Electrical Specification Mechanical Specification

Impedance: 50 Ohm

Frequency: 0-4 GHz

Dielectric W/V: 1000 Veff

Insulation res: 1000 M-Ohm

Contact Retention: 10 N min

Cable Retention: 200 N min

Mating cycles: 500

Weight: 4.96 g

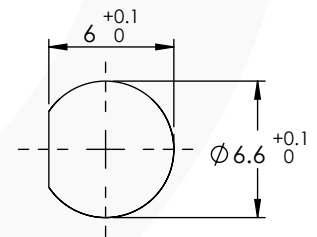
Connector Interface

image for illustration purposes only



Mounting Details

Max Panel: 2.60mm



RECOMMENDED TORQUE
FOR PANEL NUT : 150Ncm

7	INTERNAL SEAL	EPOXY	N/A
6	WASHERS	SK5	GOLD
5	NUT	BRASS	GOLD
4	GASKETS	SILICONE	N/A
3	INSULATORS	PTFE	N/A
2	CENTRE CONTACTS	BERYLLIUM COPPER	GOLD
1	BODIES	BRASS	GOLD
ITEM	DESCRIPTION	MATERIAL	PLATING

A4	SHEET 1 OF 1	DIMENSIONS ARE IN MILLIMETRES		
REVISION :	A01	NAME	SIGNATURE	DATE
ISSUE :	1	DRAWN	BS	26/09/2018
		CHK'D	I.G.	15/10/2018
		APP'V'D		
6-8 COLNE ROAD, TWICKENHAM, MIDDLESEX. TW1 4JR				
THE INFORMATION IS GIVEN AS AN INDICATION ONLY AND IS SUBJECT TO CHANGE WITHOUT NOTICE. IN THE CONTINUAL GOAL TO IMPROVE OUR PRODUCTS, WE RESERVE THE RIGHT TO MAKE ANY MODIFICATIONS NECESSARY WITHOUT PRIOR NOTICE.				