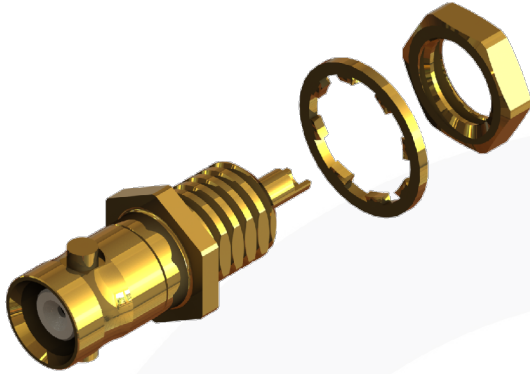
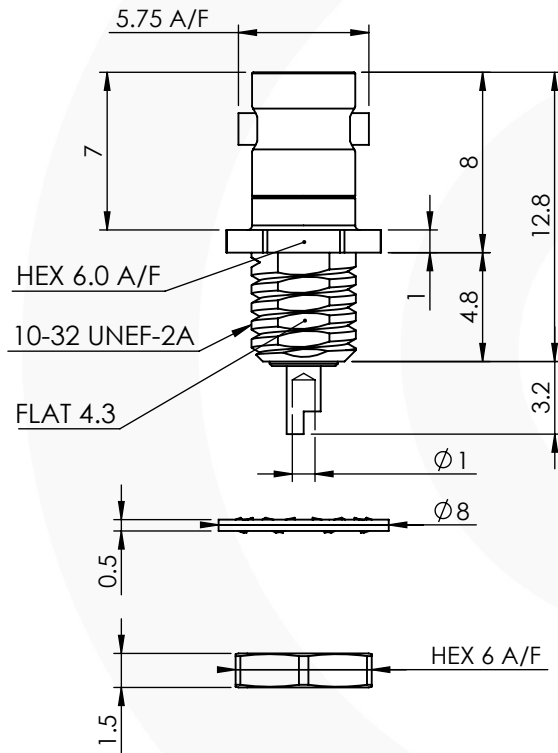


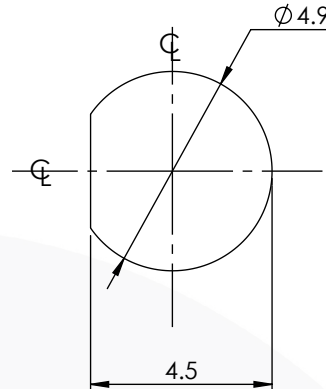
MICRO BNC STRAIGHT FRONT MOUNT BULKHEAD JACK SOLDER SPILL 67-360-D3



images for illustration purposes only



RECOMMENDED MOUNTING HOLE:



* MAX PANEL THICKNESS = 2.5

Environmental Specification

Operating Temp: -55 to +155 Deg C.

IP Rating (Mated): NONE

Electrical Specification

Impedance: 50 Ohm

Frequency: 0-6 GHz

Dielectric W/V: 1000 Veff

Insulation res: 10000 M-Ohm

Mechanical Specification

Contact Retention: 10 N min

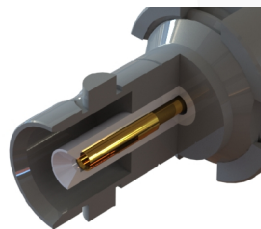
Cable Retention: N/A N min

Mating cycles: 500

Weight: 1.44 g

Connector Interface

image for illustration purposes only



Note - 50 and 75 ohm versions of Micro BNC connectors are not compatible and permanent damage to the connector may occur if mated.

5	NUT	BRASS	GOLD
4	WASHERS	BRASS	GOLD
3	INSULATOR	PTFE	N/A
2	CENTRE CONTACT	BERYLLIUM COPPER	GOLD
1	BODY	BRASS	GOLD
ITEM	DESCRIPTION	MATERIAL	PLATING

A4	SHEET 1 OF 1	DIMENSIONS ARE IN MILLIMETRES		
REVISION :	B00	NAME	SIGNATURE	DATE
ISSUE :	1	DRAWN	G.E.	06/01/2023
		CHK'D	P.S.	06/01/2023
		APP'V'D		
6-8 COLNE ROAD, TWICKENHAM, MIDDLESEX. TW1 4JR				
THE INFORMATION IS GIVEN AS AN INDICATION ONLY AND IS SUBJECT TO CHANGE WITHOUT NOTICE. IN THE CONTINUAL GOAL TO IMPROVE OUR PRODUCTS, WE RESERVE THE RIGHT TO MAKE ANY MODIFICATIONS NECESSARY WITHOUT PRIOR NOTICE.				