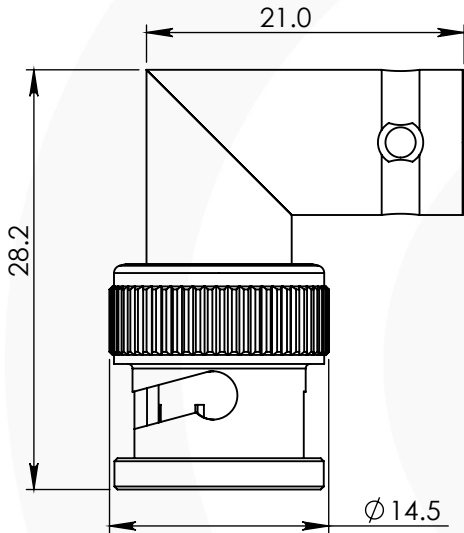


BNC RIGHT ANGLE PLUG TO JACK ADAPTOR 10-520-A0



images for illustration purposes only



Environmental Specification

Operating Temp: -30 to +70 Deg C.
IP Rating (Mated): IP 64

Electrical Specification

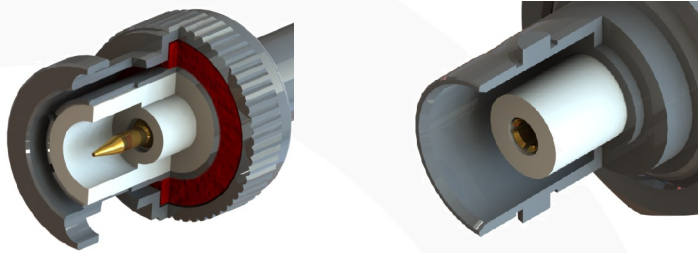
Impedance: 75 Ohm
Frequency: 0-3 GHz
Dielectric W/V: 1500 Veff
Insulation res: 5000 M-Ohm

Mechanical Specification

Contact Retention: 27 N min
Cable Retention: Not Applicable
Mating cycles: 100
Weight: 15.33 g

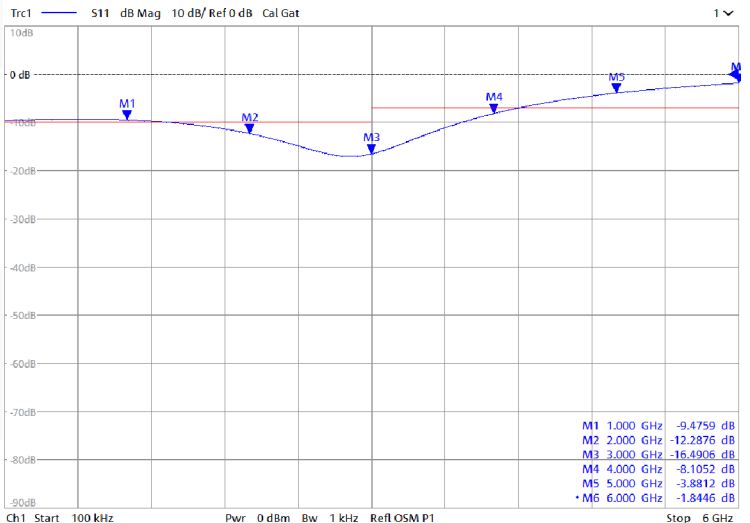
Connector Interface

image for illustration purposes only



- 9.48 db @ 1.0 GHz
- 12.29 db @ 2.0 GHz
- 16.49 db @ 3.0 GHz
- 8.11 db @ 4.0 GHz

2/27/2023 1:50:44 PM
1511.6010K62-101691-W



13	FRONT BODY	BRASS	NICKEL
12	RETAINER	BRASS	NICKEL
11	INSULATOR	PTFE	N/A
10	INSULATOR	PTFE	N/A
9	INSULATOR	DELTRIN	N/A
8	CENTRE CONTACT	BRASS	GOLD
7	BODY	BRASS	NICKEL
6	WASHER	Fe	NICKEL
5	SPRING	SK5	NICKEL
4	INNER RETAINING RING	SK5	NICKEL
3	GASKET	SILICONE	N/A
2	INSULATOR	DELTRIN	N/A
1	BAYONET CAP	ZINC	NICKEL
ITEM	DESCRIPTION	MATERIAL	PLATING

A4	SHEET 1 OF 1	DIMENSIONS ARE IN MILLIMETRES		
REVISION :	B01	NAME	SIGNATURE	DATE
ISSUE :	2	DRAWN	GE	29/06/2011
		CHK'D	IG	30/06/2011
		APPV'D		
6-8 COLNE ROAD, TWICKENHAM, MIDDLESEX. TW1 4JR				
<small>THE INFORMATION IS GIVEN AS AN INDICATION ONLY AND IS SUBJECT TO CHANGE WITHOUT NOTICE. IN THE CONTINUAL GOAL TO IMPROVE OUR PRODUCTS, WE RESERVE THE RIGHT TO MAKE ANY MODIFICATIONS NECESSARY WITHOUT PRIOR NOTICE.</small>				