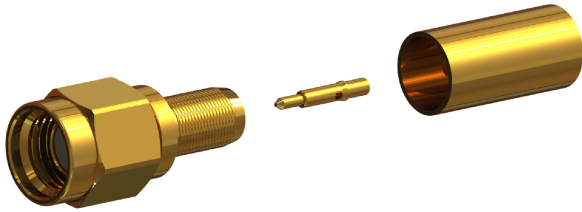
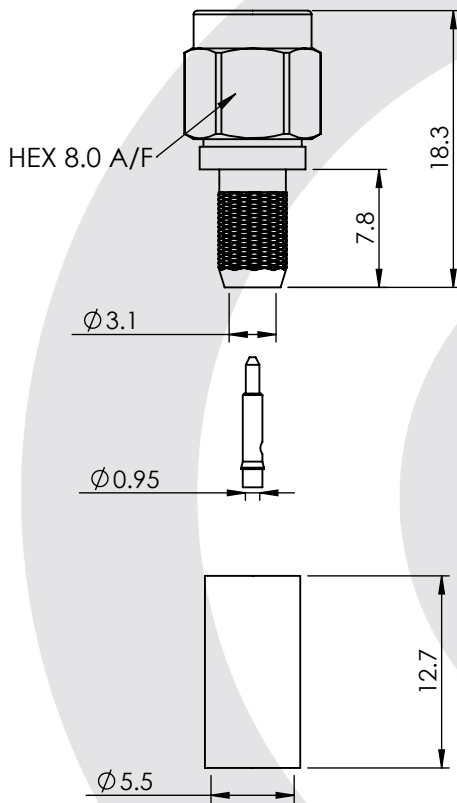


## SMA STRAIGHT SOLDER / CRIMP PLUG 30-008-D3-AH



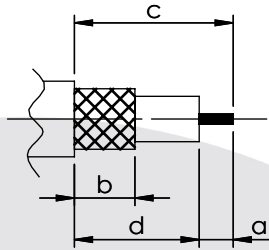
images for illustration purposes only



### Suitable for Cables:

(AH)  
RG58, RG141, LMR195, URM43, URM76, WBC195,  
PSF 1/6, KX15, KX23

### Stripping Dimensions



a = 3.0 mm  
b = 8.0 mm  
c = 13.0 mm  
d = 5.0 mm

\* CUT FOIL TO DIM. "b"

### Assembly Procedure: AP004

### Tooling

Centre Contact: Solder Tool No: Not Applicable  
Crimp Sleeve: Hex 5.41mm A/F Tool No: 336A  
Alignment Tool: Not Applicable Extraction: Not Applicable

### Environmental Specification

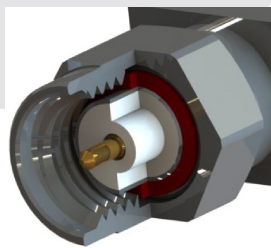
Operating Temp: -55 to +155 Deg C.  
IP Rating (Mated): IP 64

### Electrical Specification Mechanical Specification

Impedance: 50 Ohm Contact Retention: 10 N min  
Frequency: 0-12 GHz Cable Retention: 150 N min  
Dielectric W/V: 750 Veff Mating cycles: 250  
Insulation res: 5000 M-Ohm Weight: 3.96 g

### Connector Interface

image for illustration purposes only



7	INNER RETAINING RING	STAINLESS STEEL	NICKEL
6	COUPLING NUT	BRASS	GOLD
5	GASKET	SILICONE	N/A
4	CRIMP SLEEVE	BRASS	GOLD
3	INSULATOR	PTFE	N/A
2	CENTRE CONTACT	BRASS	GOLD
1	BODY	BRASS	GOLD
ITEM	DESCRIPTION	MATERIAL	PLATING

<b>A4</b>	SHEET 1 OF 1	DIMENSIONS ARE IN MILLIMETRES				
REVISION :	A00		NAME	SIGNATURE	DATE	
DRAWN	IG				09/04/2014	
ISSUE :	0		CHK'D	GE		09/04/2014
			APP'V'D			
<b>6-8 COLNE ROAD, TWICKENHAM, MIDDLESEX. TW1 4JR</b>						
<small>THE INFORMATION IS GIVEN AS AN INDICATION ONLY AND IS SUBJECT TO CHANGE WITHOUT NOTICE. IN THE CONTINUAL GOAL TO IMPROVE OUR PRODUCTS, WE RESERVE THE RIGHT TO MAKE ANY MODIFICATIONS NECESSARY WITHOUT PRIOR NOTICE.</small>						