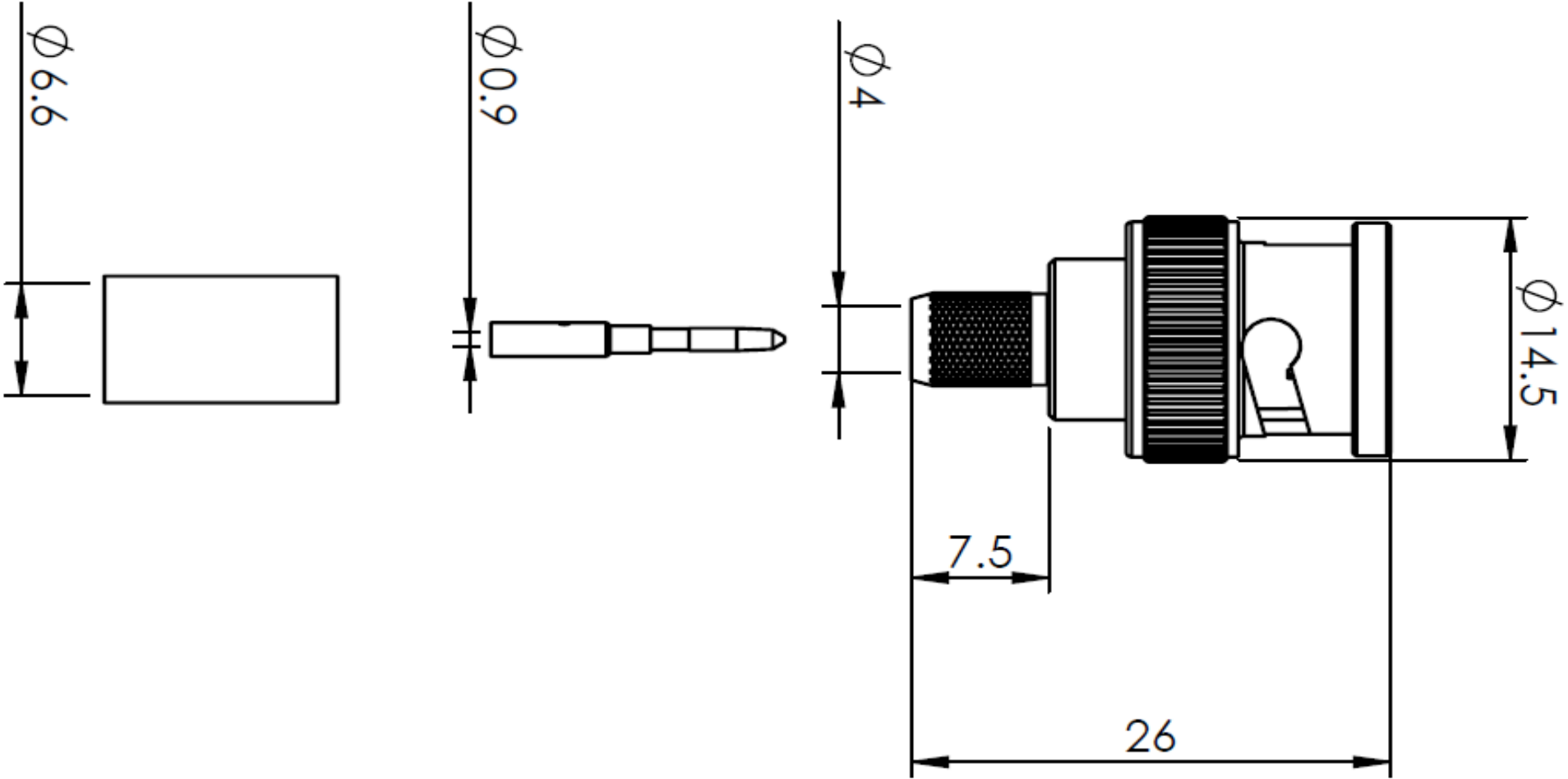


Images for illustration purposes only



Part Number: 10-005-D66-FB

COAX
CONNECTORS LTD