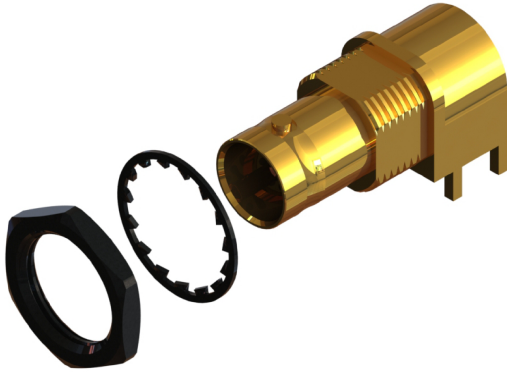
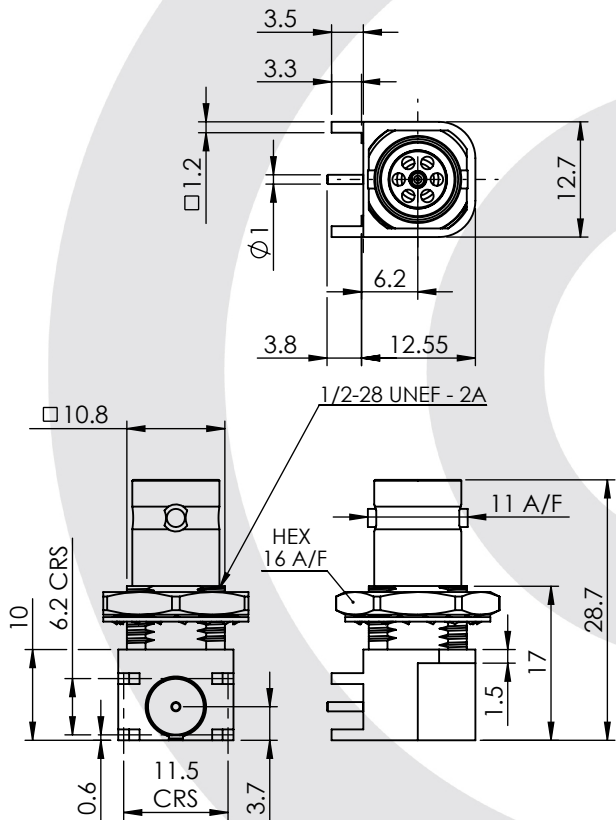


## BNC RIGHT ANGLED PCB JACK BULKHEAD MOUNT LOW PROFILE (6G)

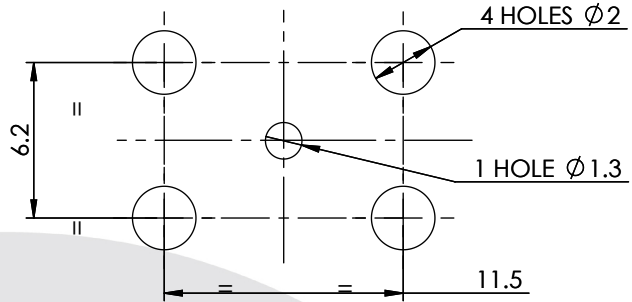
### 10-416-D66



images for illustration purposes only



### Recommended Mounting :



Max. Recommended Panel Thickness = 3mm

Recommended Panel Nut Torque = 250N.cm

### Environmental Specification

Operating Temp: -55 to +155 Deg C.

IP Rating (Mated): IP 40

### Electrical Specification Mechanical Specification

Impedance: 75 Ohm

Contact Retention: 22 N min

Frequency: 0-6 GHz

Cable Retention: Not Applicable

Dielectric W/V: 1500 Veff

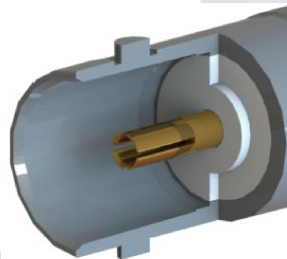
Mating cycles: 500

Insulation res: 5000 M-Ohm

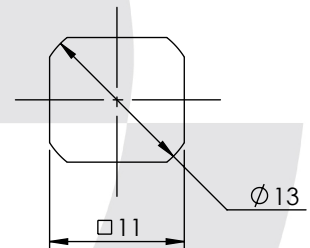
Weight: 22.30 g

### Connector Interface

image for illustration purposes only



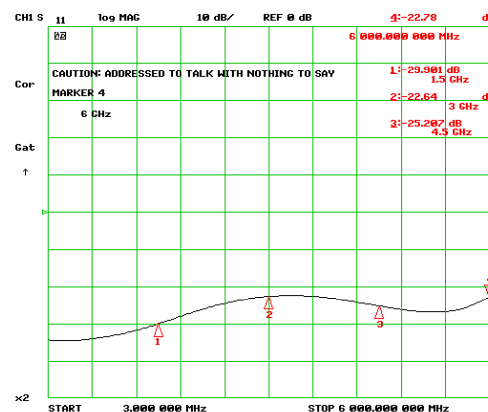
### Panel Mounting



### Performance

- 29.9 dB @ 1.5 GHz
- 22.64 dB @ 3.0 GHz
- 25.20 dB @ 4.5 GHz
- 22.78 dB @ 6.0 GHz

### Return Loss Graph



5	NUT	BRASS	BLACK NICKEL
4	WASHER	SK5	BLACK NICKEL
3	INSULATOR	PTFE	N/A
2	CENTRE CONTACT	BERYLLIUM COPPER	GOLD
1	BODIES	BRASS	GOLD
ITEM	DESCRIPTION	MATERIAL	PLATING

<b>A4</b>	SHEET 1 OF 1	DIMENSIONS ARE IN MILLIMETRES	
REVISION :	B00	NAME	SIGNATURE
ISSUE :	2	DATE	
6-8 COLNE ROAD, TWICKENHAM, MIDDLESEX. TW1 4JR		DRAWN	19/11/2013
		CHK'D	19/11/2013
		APPV'D	
THE INFORMATION IS GIVEN AS AN INDICATION ONLY AND IS SUBJECT TO CHANGE WITHOUT NOTICE. IN THE CONTINUAL GOAL TO IMPROVE OUR PRODUCTS, WE RESERVE THE RIGHT TO MAKE ANY MODIFICATIONS NECESSARY WITHOUT PRIOR NOTICE.			