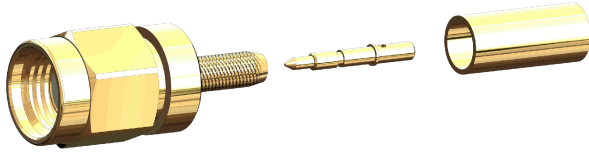
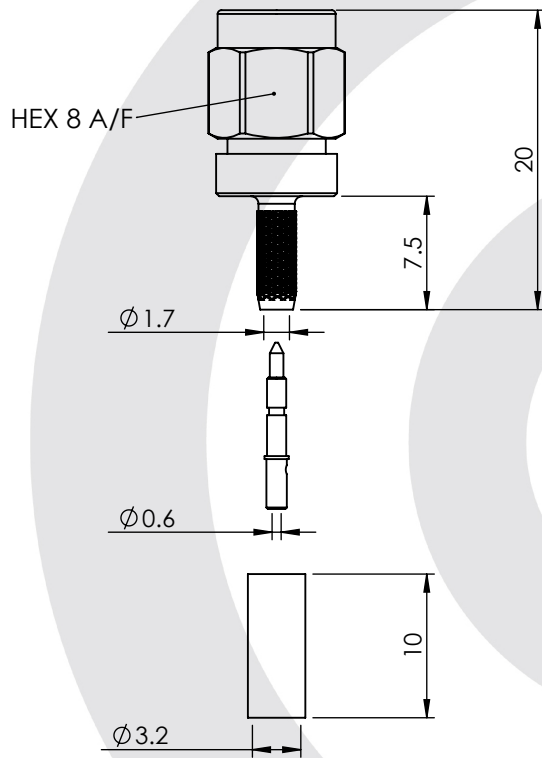


SMA STRAIGHT CRIMP / CRIMP PLUG 30-005-D3-AD



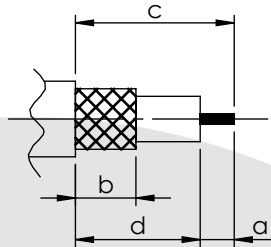
images for illustration purposes only



Suitable for Cables:

(AD) RG316, RG174, RG188, LMR100, WBC100, URM95, KX3, KX22

Stripping Dimensions



a = 3.0 mm
b = 8.0 mm
c = 13.0 mm
d = 10.0 mm

Assembly Procedure: AP001

Tooling

Centre Contact: Indent or SQ 0.99mm A/F Tool No: 336T1

Crimp Sleeve: Hex 3.25mm A/F Tool No: 336T1

Alignment Tool: Not Applicable Extraction: Not Applicable

Environmental Specification

Operating Temp: -55 to +155 Deg C.

IP Rating (Mated): IP 65

Electrical Specification Mechanical Specification

Impedance: 50 Ohm

Contact Retention: 27 N min

Frequency: 0-12 GHz

Cable Retention: 150 N min

Dielectric W/V: 750 Veff

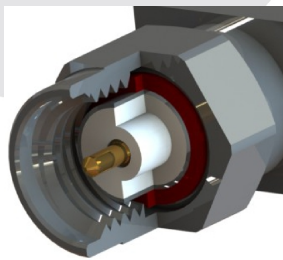
Mating cycles: 500

Insulation res: 5000 M-Ohm

Weight: 4.31 g

Connector Interface

image for illustration purposes only



| 5 | GASKET | SILICONE | N/A |
|------|----------------|----------|---------|
| 4 | CRIMP SLEEVE | BRASS | GOLD |
| 3 | INSULATOR | PTFE | N/A |
| 2 | CENTRE CONTACT | BRASS | GOLD |
| 1 | BODY | BRASS | GOLD |
| ITEM | DESCRIPTION | MATERIAL | PLATING |

| | | | | |
|---|--------------|-------------------------------|-----------|------------|
| A4 | SHEET 1 OF 1 | DIMENSIONS ARE IN MILLIMETRES | | |
| REVISION : | A00 | NAME | SIGNATURE | DATE |
| ISSUE : | 2 | DRAWN | IG | 13/08/2014 |
| | | CHK'D | GE | 14/08/2014 |
| | | APPV'D | | |
| 6-8 COLNE ROAD, TWICKENHAM, MIDDLESEX. TW1 4JR | | | | |
| THE INFORMATION IS GIVEN AS AN INDICATION ONLY AND IS SUBJECT TO CHANGE WITHOUT NOTICE. IN THE CONTINUAL GOAL TO IMPROVE OUR PRODUCTS, WE RESERVE THE RIGHT TO MAKE ANY MODIFICATIONS NECESSARY WITHOUT PRIOR NOTICE. | | | | |